



Rolling Chair Scale

Models 6880 & 6880KGEU

Operating Instructions



0064-M020-O1 Rev C
09/09

CARDINAL SCALE MFG. CO.
PO BOX 151 • WEBB CITY, MO 64870
PH (417) 673-4631 • FAX (417) 673-5001
www.detectoscale.com

Printed in USA

Technical Support: Ph: 866-254-8261 • techsupport@cardet.com

FEATURES

- Fully electronic – single load cell
- Oversized 3” high wheels
- Zero turning radius ability
- Safety stops on rear wheels for parking in one place without rolling
- Contoured, sloping backrest allows the patient to assume a relaxed position
- Soft, padded lift-a-way armrest for ease in transferring patients to the scale and to accommodate patients with casts
- Fold up footrest to promote patient security when getting into or out of the scale.

UNPACKING INSTRUCTIONS

- Cut packing straps securing the shipping box.
- Remove indicator (packed in separate box) from chair scale seat and set aside.
- To remove scale from the box, lift up with equal force on the padded handles and at the lower frame. Set gently on floor. **DO NOT** lift scale by chair seat.
- Remove all plastic wrapping, foam fillers and cardboard material from the scale.
- Check for any damage incurred in shipping. If scale has been damaged, place a claim with the carrier. *It is the responsibility of the purchaser to file all claims for any damages or loss incurred during transit.* Use the original carton and shipping material to return the scale.
- Remove and unpack the power supply and cord, if the scale was ordered with this option.

CARE AND CLEANING OF SCALE

- **DO NOT** subject the platform to sudden shocks.
- **DO NOT** spray water directly on the display.
- **DO** avoid areas where the scale might be exposed to moisture.
- **DO NOT** use abrasive cleaners on this instrument.
- **DO NOT** use acetone or other volatile solvents for cleaning.
- **DO** clean the scale using a damp soft cloth and mild detergent.

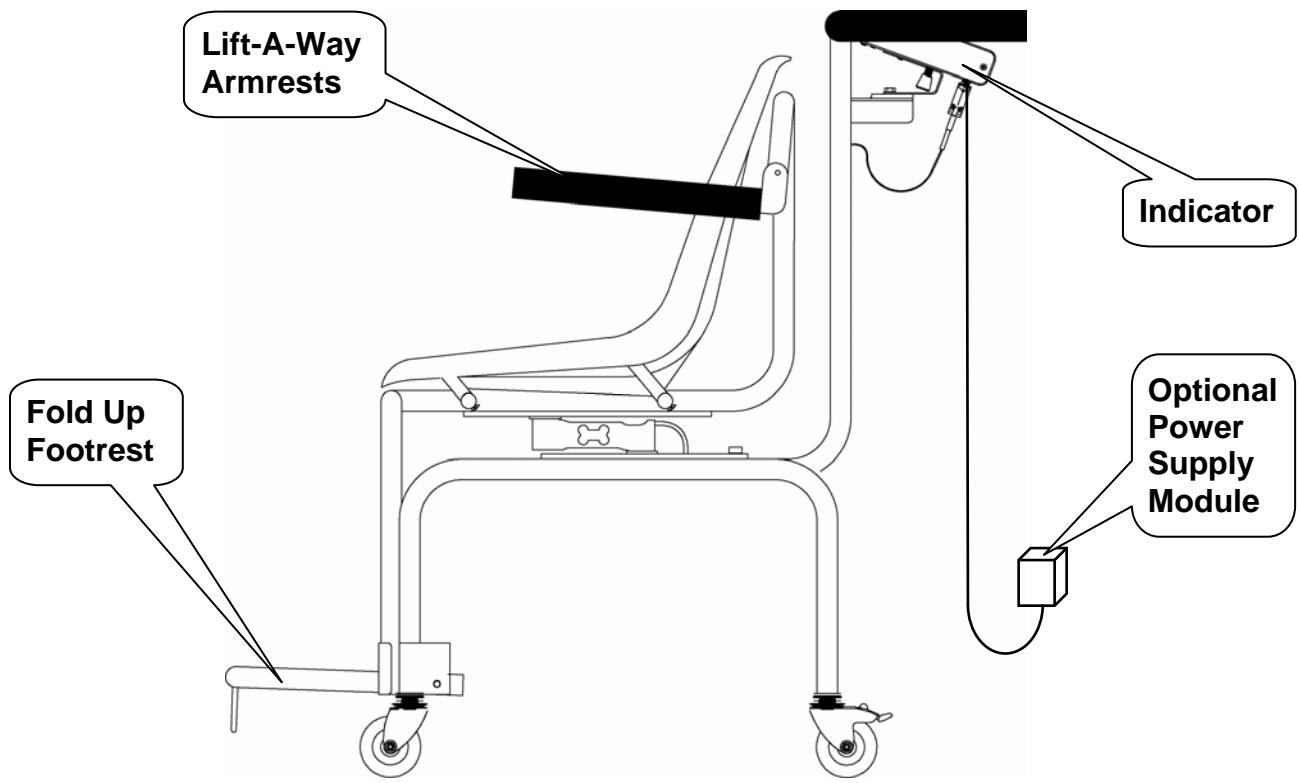
ERROR AND STATUS DISPLAYS

Display	Meaning	
-Err-	General error, invalid keypad entry was attempted.	
-OF-	Attempting to display a negative number greater than -9,999 or a positive number greater than 99,999.	
-tL-	Indicates an attempt to zero a weight outside scale zero range.	
-UnS-	Motion is present when indicator is attempting to perform one of the following operations: Power Up Zero or Zero Weight Display.	
CALib	Indicates calibration is necessary.	
AdErr ErrAL ErrAH	} Consult your scale service representative.	
OCAP		Scale weight exceeds scale capacity.
OFF		Displayed to indicate indicator is turning off.

OPERATING INSTRUCTIONS



WARNING - This product is not intended for use in transporting patients! It is to be used **ONLY** for weighing a patient. Failure to observe this warning may result in serious injury to the patient and/or the scale operator.



1. Install six (6) "AA" size batteries or if ordered with the scale, plug the small connector end of the power supply cord into the power jack located in the bottom right corner at the back of the indicator, then plug the power supply module into an appropriate power receptacle.
NOTE! DO NOT connect a power supply to the indicator if Alkaline batteries are installed.
2. Install the indicator on the scale bracket (between the padded handles) and then connect the load cell cable.

NOTE! For more information on installing the batteries (or the power supply module), mounting the indicator on the scale bracket and connecting the load cell cable, refer to the 750 Owner's Manual, 8555-M260-O1.

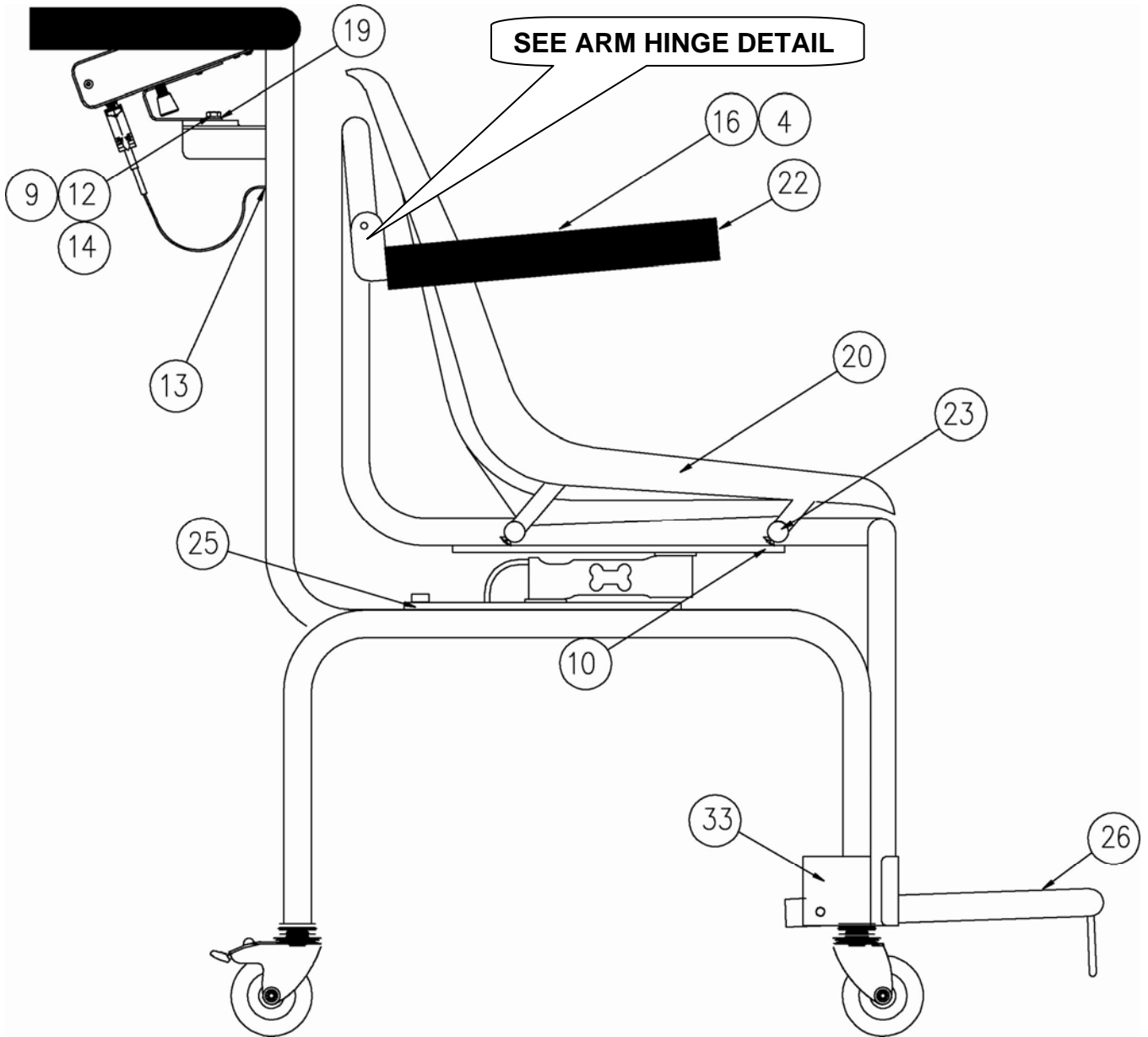
3. Place the chair scale on any hard, level, flat surface or low-cut carpet.
4. With no weight on the scale, press the [**ON/OFF**] key. After a second or so the display should indicate a zero weight with the ZERO annunciator turned on. If the display does not indicate zero, press the [**ZERO**] key to zero the weight display.
5. Set the patient on the scale and have them remain motionless for several seconds until the scale display shows their weight.

IMPORTANT!

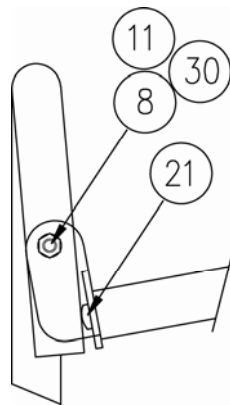
**Lower footrest after patient is seated.
Raise footrest before patient stands up.
NEVER STAND UPRIGHT ON FOOTREST!**

6. To re-zero the scale, remove the patient from the scale and press the [**ZERO**] key.

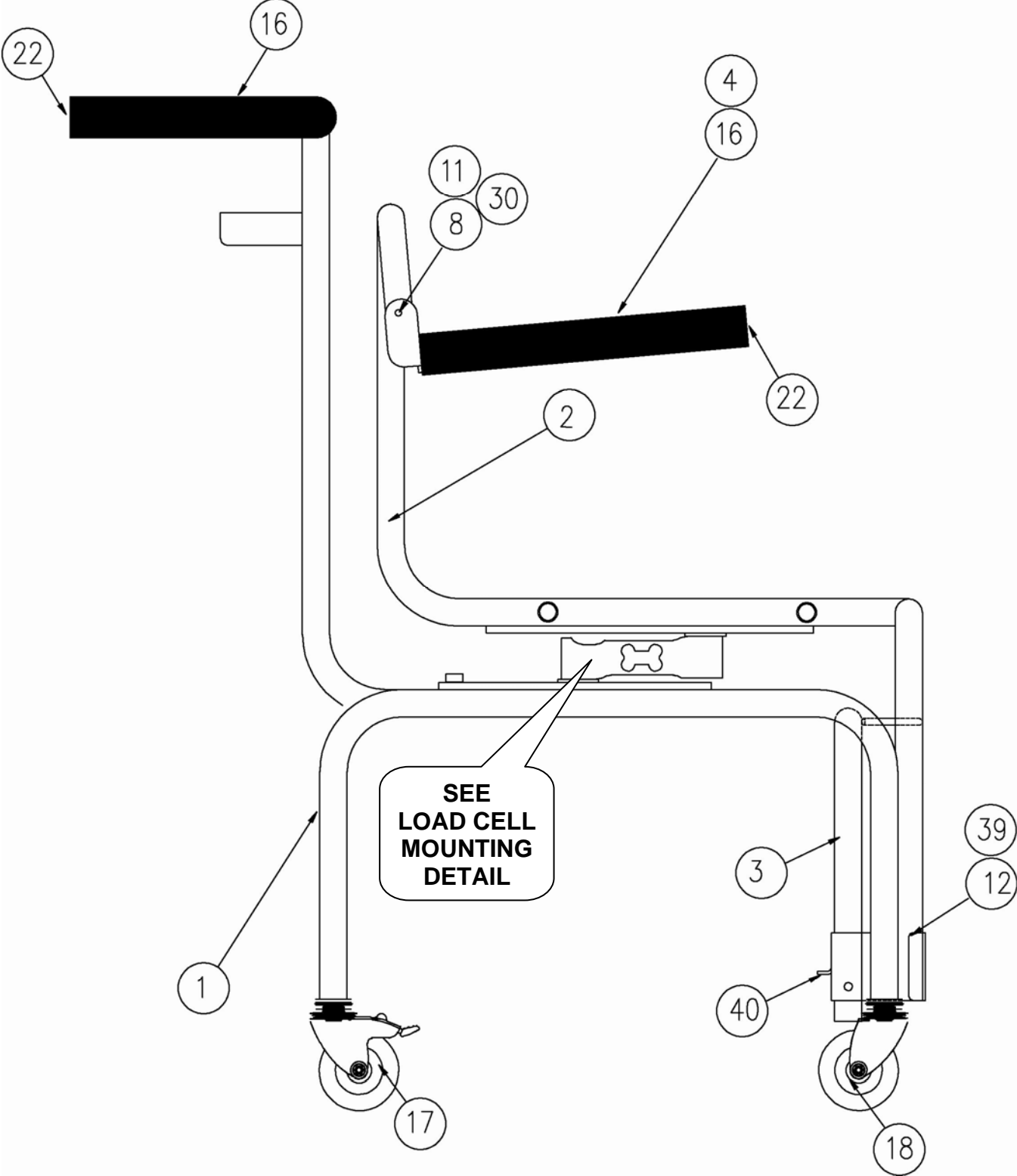
PART IDENTIFICATION



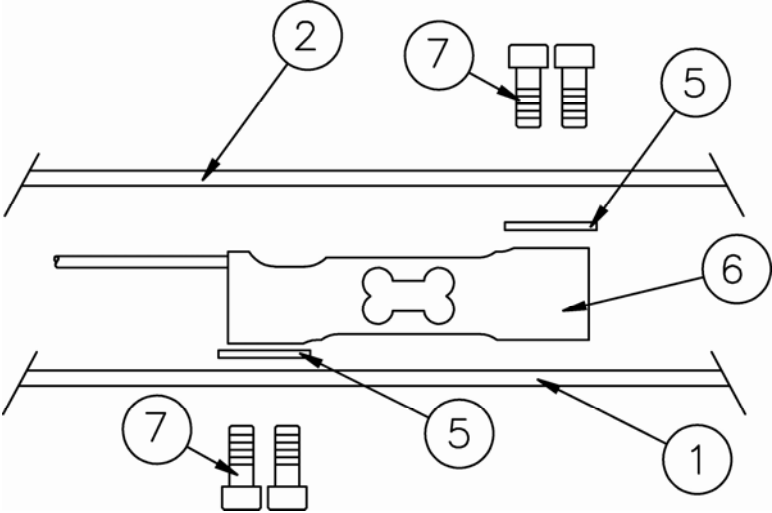
ARM HINGE DETAIL



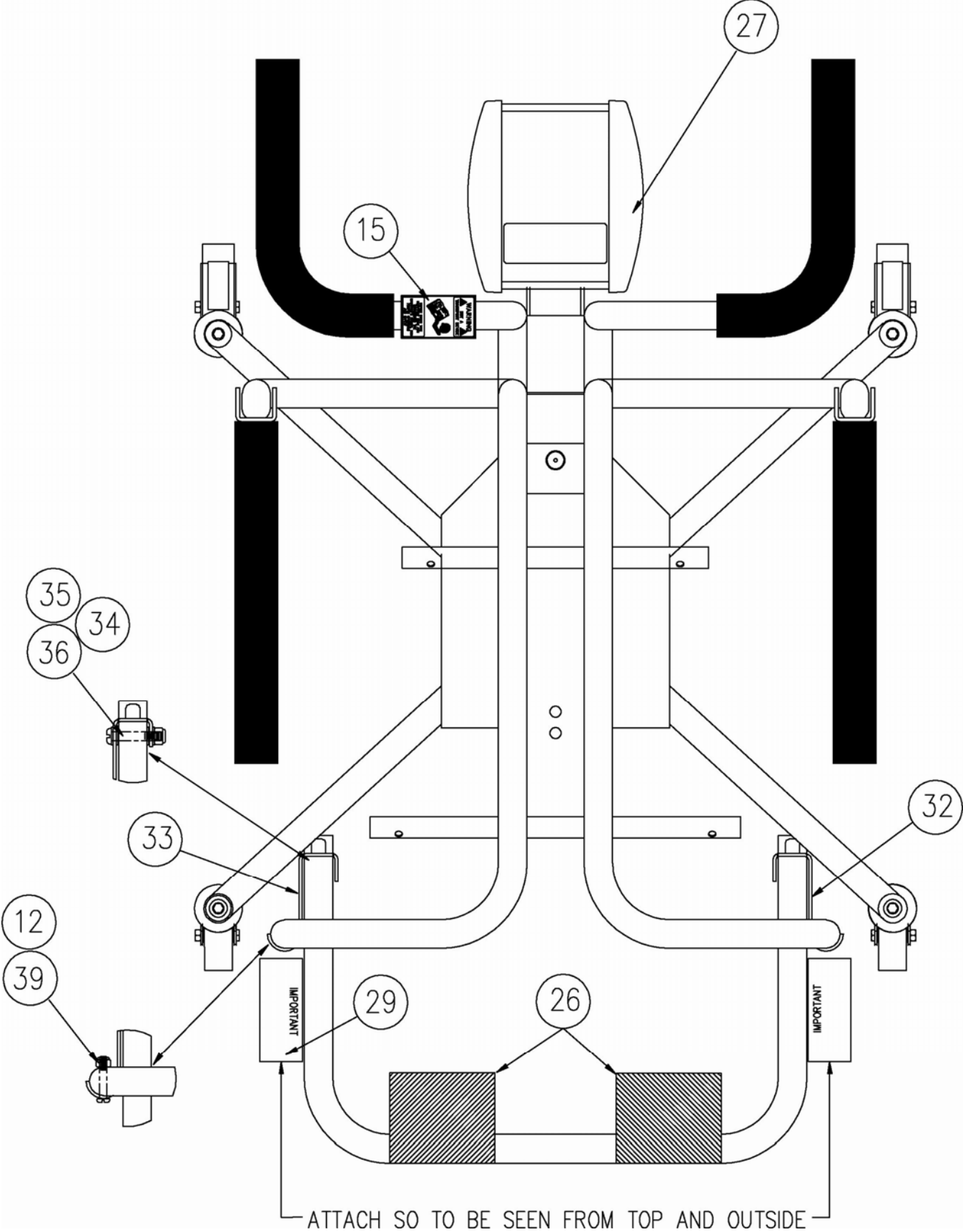
PART IDENTIFICATION, CONT.



LOAD CELL MOUNTING DETAIL



PART IDENTIFICATION, CONT.



PART IDENTIFICATION

ITEM #	QTY	PART NUMBER	DESCRIPTION
1	1	0064-D002-0A	LOWER FRAME WELDMENT
2	1	0064-D003-0A	UPPER FRAME WELDMENT
3	1	0064-C032-0A	FOOT REST WELDMENT
4	2	0064-B011-0A	ARM REST WELDMENT
5	2	0049-B028-08	SPACER
6	1	2950-C138-1A	LOAD CELL
7	4	6021-1313	SCW SOC HD CAP M10 X 1.5 X 22mm
8	2	6021-1432	SCW PAN HEAD 1/4-20UNC-2A X 1 3/4" LG. PHIL.
9	1	6021-1454	SCW HX HD 1/4-20UNC-2A X .75
10	4	6021-1101	SCW OVAL HD #12 X 1.5
11	8	6680-0030	WASHER FLAT 1/4" NYLON
12	3	391RV204	NUT HEX ELASTIC 1/4-20UNC-2B
13	1	6680-1043	GROMMET
14	1	6024-0004	WASHER FLAT 1/4
15	1	0046-B268-08	WARNING LABEL
16	4	6540-1070	GRIP FOAM
17	2	6540-1043	CASTER SWIVEL W/BRAKE
18	2	6540-1044	CASTER
19	1	0033-B438-0A	INDICATOR MOUNT
20	1	6540-1103	CHAIR SHELL BLACK
21	2	6540-1094	STEM BUMPER
22	8	6450-1149	VINYL CAP 1" DIA
23	4	6540-1148	VINYL CAP 3/4" DIA
24	-	-	-
25	1	593GR986	SERIAL TAG
26	2	0064-B016-08	MAT FOOT REST
27	REF	750	INDICATOR
28	1	6980-0014	CABLE TIE 6" WHITE
29	2	203R908	CAUTION LABEL
30	2	6013-0420	NUT ACORN HEX 1/4-20UNC-2B
31	1	6680-0164	GROMMET
32	1	0064-B031-18	BRACKET HINGE FOOT REST L/H
33	1	0064-B031-28	BRACKET HINGE FOOT REST R/H
34	2	6021-1441	SCW PAN HEAD 5/16-18 1 3/4" PHIL DRIVE Z/P
35	8	6024-1044	WASHER FLAT 5/16 NYLON .06" THICK
36	2	6013-0410	NUT ELASTIC STOP 5/16-18 Z/P
37	2	6610-1131	BACKSHELL
38	1	6610-1517	CONNECTOR
39	2	6021-1430	SCW PAN HEAD 1/4-20 X 1 1/2" Z/P
40	2	6540-1144	MAT SAFETY CUT OUT 1/2" SQUARE
		6800-1045	AC ADAPTER 100-240VAC to 12VDC @ 1 AMP U.S.

STATEMENT OF LIMITED WARRANTY

Detecto Scale warrants its equipment to be free from defects in material and workmanship as follows: Detecto warrants to the original purchaser only that it will repair or replace any part of equipment which is defective in material or workmanship for a period of one **(1) year** from date of shipment. Detecto shall be the sole judge of what constitutes a defect.

During the **first ninety (90) days** Detecto may choose to supply all necessary replacement parts and service during normal weekday working hours at no charge to the buyer.

After the first ninety (90) days Detecto will supply parts and service at the job site provided the owner agrees to pay the Dealer for all travel time, including mileage and test equipment, as well as any expenses incurred over the direct labor of the technician at the job site. This limited warranty honors only labor performed by Detecto authorized dealers.

This warranty does not apply to peripheral equipment not manufactured by Detecto; this equipment will be covered by certain manufacturer's warranty only.

This warranty does not include replacement of expendable or consumable parts. This does not apply to any item which has deteriorated or damaged due to wear, accident, misuse, abuse, improper line voltage, overloading, theft, lightning, fire, water or acts of God, or due to extended storage or exposure while in purchaser's possession. This warranty does not apply to maintenance service. Purchased parts will have a ninety (90) day repair or replacement warranty only.

Detecto may require components be returned to the factory; they must be properly packed and shipping charges prepaid. A return authorization number must be obtained for all returns and marked on the outside of all returned packages. Detecto accepts no responsibility for loss or damage in transit.

STATEMENT OF LIMITED WARRANTY

Conditions Which Void Limited Warranty

This warranty shall not apply to equipment which:

- A.) Has been tampered with, defaced, mishandled or have had repairs and modifications not authorized by Detecto.
- B.) Has had serial number altered, defaced, or removed.
- C.) Has not been grounded according to Detecto's recommended procedure.

Freight Carrier Damage

Claims for equipment damaged in transit must be referred to the freight carrier in accordance with freight carrier regulations.

This warranty sets forth the extent of our liability for breach of any warranty or deficiency in connection with the sale or use of the product. Detecto will not be liable for consequential damages of any nature, including but not limited to, loss of profit, delays or expenses, whether based on tort or contract. Detecto reserves the right to incorporate improvements in material and design without notice and is not obligated to incorporate improvements in equipment previously manufactured.

The foregoing is in lieu of all other warranties, express or implied including any warranty that extends beyond the description of the product including any warranty of merchantability or fitness for a particular purpose. This warranty covers only those Detecto products installed in the forty-eight (48) contiguous continental United States.



Ph. (800) 641-2008
E-mail: detecto@cardet.com
203 E. Daugherty
Webb City, MO 64870

02/06
Printed in USA
D268-WARRANTY-DET

