

Taking Weighing Precision and Protection to New Heights

Advanced Sensor Technology

Smart-SHS the latest advancement in our super hybrid design, construction and algorithms.

- Increased productivity via faster stabilization times (1 second in fast mode).
- Lower cost of ownership due to reduce number of parts and maintenance accessibility.

Legal for Trade Approved

The A&D Apollo GF-AN Series is NTEP certified & Measurement Canada approved, making it compliant in the United States and Canada.

- Versatile with NTEP-N selectable modes of e=d for direct sales application or easily switch to e=10d that displays a bracketed value ideal for indirect sale applications. Includes: a tamper-proof physical sealing bracket. In addition an e=d front label is provided in the box. If e=d mode is selected apply front label appropriate to mode selection before sealing.
- The GF-AN is equipped with basic weighing, Gross/Net/Tare display, parts counting (labeled not legal for trade) and percent weighing applications (MC only), and is capable of displaying weight in grams, carats, pounds, ounces, troy ounces for NTEP modes and g, oz for MC modes.
- GF-AN can also be connected to point-of-sale systems or printers via its standard RS-232 port or via USB. Ethernet or Wireless interface option are available.
- Easy-to-read, backlit LCD display and a simple user interface make it ideal for 120g up to 10kg capacity weighing.
- NTEP-P pharmacy setting available for pharmacy applications.

Practical Features

Leveling Made Easy

- Plug in, turn on, screen blinks for 5 seconds to prompt user to level.
- Bright-bubble – Large, easy-to-see, front mounted spirit level with LED illumination.
- Fly-thumbwheel is effortless & accessible allows ergonomic adjustment with anti-slip feet.

Simple User Interface

- Six straightforward keys – ON/OFF/ZERO, CAL, MODE, SAMPLE, PRINT, TARE.
- Reverse Backlit LCD is a large display with great B&W contrast provides excellent visibility.

Cleanable Robust Construction

- Stainless Steel Pan & Dust-plate can be easily removed for cleaning.
- Easy to assemble anti-static breeze break on 0.001 readability models.
- Die-cast Aluminum housing provides extra stability and durability.

Flexible Interface & Security

- Standard RS-232C and USB – Toggle between the Quick USB mode or Virtual COM mode (bi-directional). A USB cable comes standard.
- Security Slot – Anti-theft lock (such as Kensington) to prevent loss.



NTEP Approved
Class II
CC# 20-039



MC Approved
Class II
AM-6158

KEY FEATURES:



Super Hybrid Sensor



GF-A External Calibration



USB - Bidirectional Standard



RS-232C Standard



Ethernet Interface Option



Wireless BT Option

Specifications

GF-AN Models Legal-for-Trade	GF-123AN	GF-203AN	GF-303AN	GF-403AN	GF-603AN	GF-1202AN	GF-2002AN	GF-3002AN	GF-4002AN	GF-6002AN	GF-6001AN*	GF-10001AN	
Capacity	122 g	220 g	320 g	420 g	620 g	1220 g	2200 g	3200 g	4200 g	6200 g	6200 g	10200 g	
Readability	0.001 g					0.01 g					0.1 g		
Repeatability (A&D Standard mode)	0.001 g					0.01 g					0.1 g		
Scale division d (e=10d default) MC mode	0.00[1] g					0.0[1] g					0.[1] g		
Verified Scale division e (e=d)	0.01 g					0.1 g					1.0 g		
Linearity	±0.002 g					±0.02 g				±0.03 g	±0.1 g		
LFT Approved Class Accuracy	II												
Accuracy after external calibration (GF-AN series) ⁱ	± 0.010 g					± 0.10 g		± 0.15 g		± 0.15 g 5000 g	± 0.5 g 5000 g		
Stabilization Time	~ 1 sec (~0.8 sec for 5 g)					~ 1 sec (~0.8 sec for 50 g)					~1 sec (~0.8 sec for 500 g)		
Sensitivity drift	±2 ppm / °C (10 °C to 30 °C / 50 °F to 86 °F, when automatic self-calibration is OFF)												
Calibration	Type	External											
	Wt. g.	50 g 100 g	50 g 100 g 200g	50 g 100 g 200 g 300 g	50 g 100 g (100 g interval) 400 g	50 g 100 g (100 g interval) 600 g	500 g 1000 g	500 g 1000 g 2000g	500 g 1000 g 2000 g 3000 g	500 g 1000 g (1000 g interval) 4000 g	500 g 1000 g (1000 g interval) 6000 g	500 g 1000 g (1000 g interval) 6000 g	500 g 1000 g (1000 g interval) 10000 g
Display	Reverse Backlit LCD (Character height: 17.8 mm)												
Display Refresh Rate	5 times / second, 10 times / second or 20 times / second												
Units of Measure ⁱⁱ	g (gram), oz (ounces), lb (pound), ozt (troy ounce), ct (metric carat), pcs (counting mode), % (percent mode)												
Counting mode	Min unit mass	0.001 g					0.01 g					0.1 g	
	Number of samples	5, 10, 25, 50 or 100 pieces											
Percent mode	Min 100% ref mass	0.100 g					1.00 g					10.0 g	
	Min 100% display	0.01%, 0.1% or 1% (depends on the reference mass stored)											
Operating environment	10 to 30 °C 50 to 86 °F, 85% R.H. or less (no condensation)												
Power supply / consumption	AC adapter / approx. 30 VA												
Communication Interface	Standard: RS-232C and USB Optional: Quick USB, LAN Ethernet (FXI-08), USB Host (GXA-24), Bluetooth Converters: AD-8529PC-W, AD8529PR-W												
Weighing pan size	128 mm × 128 mm / 5 × 5 in					165 mm × 165 mm / 6.5 × 6.5 in							
Dimensions (W × D × H)	212 (W) × 317 (D) × 93 (H) mm / 8.3 (W) × 12.5 (D) × 3.7 (H) in												
Net weight	5 kg / 11 lb												
Weighing Applications ⁱⁱⁱ	NTEP Mode	Gross/Net/Tare, Counting (PCS)											
	NTEP P Pharmacy	Gross/Net/Tare, Counting (PCS)											
	MC Mode	Gross/Net/Tare, Counting (PCS), %/Percent											
Units of Measure:	NTEP-N g/Gram, OZ/Ounce, OZT/Troy Ounce, ct/Metric Carat, GN not available in 0.1g models, NTEP-P g/Gram, OZ/Ounce, lb/Pound, OZT/Troy Ounce, ct/Metric Carat, MC g/Gram, OZ/Ounce												
Options	Interfaces: GXA-03 2nd RS232, GXA-04 Comparator Relay, GXA-06 Analog output External Key Input Interfaces: GXA-23-PRINT, GXA-23-REZERO, GXA-23-PLUG Breeze Break: GXA-10 Large BB, GXA-17 Large BB with Ionizer GXA-25 External Ionizer, GXA-26 External IR Switch, GXA-27 Bluetooth, GXA-12 Animal Weigh Pan												
Accessories	TB247 Power Supply, AD-8127 Compact Printer, AD-1682 External Rechargeable Battery (for more accessories visit andweighing.com)												

ⁱ Under stable environment (no rapid temperature/humidity change, vibration, draft, magnetism, static, etc). The mass of the internal weight may vary with age.

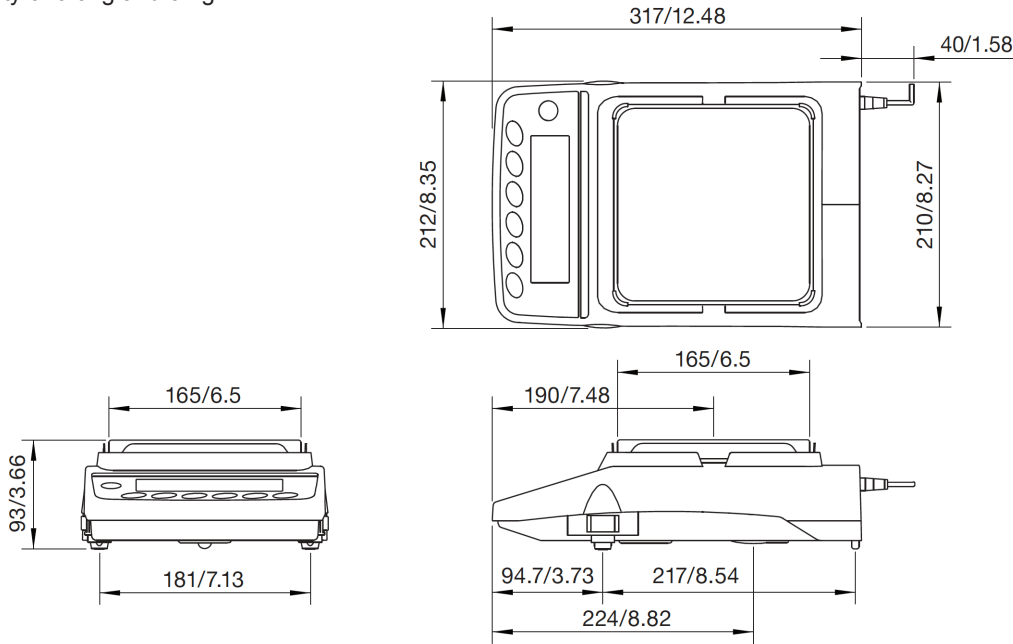
ⁱⁱ One additional unit from tael (Singapore/HK jewelry/Taiwan/China), tola or Newton can be added upon request.

ⁱⁱⁱ AN LFT models not all applications apply (excludes: statistical calculation, programmable unit, or minimum sample weight).

*GF-6001AN only NTEP certified

Dimensions (mm/inch)

Models with readability of 0.01g and 0.1g



Models with readability of 0.001g

