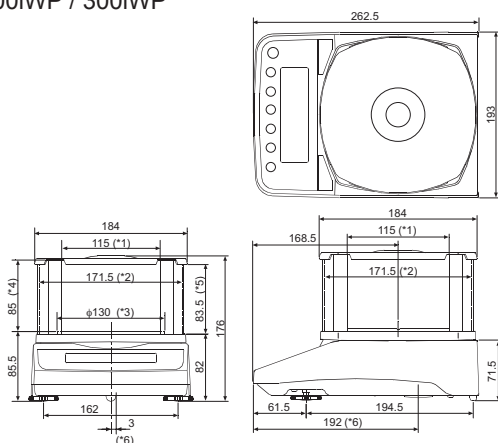


Specifications

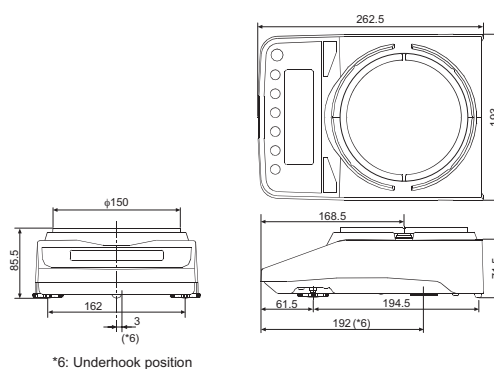
		FX-120iWP / FX-120iWPN	FX-200iWP / FX-200iWPN	FX-300iWP / FX-300iWPN	FX-1200iWP / FX-1200iWPN	FX-2000iWP / FX-2000iWPN	FX-3000iWP / FX-3000iWPN
Capacity x Resolution (g)		122 x 0.001	220 x 0.001	320 x 0.001	1220 x 0.01	2200 x 0.01	3200 x 0.01
Counting Mode	Min. Unit Mass	0.001g			0.01g		
	# of Samples	5, 10, 25, 50 or 100 pieces					
Percent Mode	Min. 100% Ref. Mass	0.100g			1.00g		
	Min. 100% Display	0.01%, 0.1%, 1% (depends on the reference mass stored)					
Repeatability (Std. Deviation)		0.001g			0.01g		
Linearity		±0.002g			±0.02g		
Stabilization Time (in FAST conditions)		Approx. 1 second					
Sensitivity Drift (10°C to 30°C)		±2ppm / °C					
Operating Temp		5°C to 40°C (41°F to 104°F), 85% RH or less (No condensation)					
Display Type		Vacuum Fluorescent Display (VFD)					
Display Refresh Rate		5 times / second, 10 times / second or 20 times / second					
Std. Serial Interface		RS-232C Interface					
Weighing Pan		130mm			150mm		
External Calibration		100g 50g	200g 100g	300g 200g 100g	1000g 500g	2000g 1000g	3000g 2000g 1000g
AC Adaptor		Confirm that the adaptor type is correct for the local voltage and power receptacle					
Power Consumption		Approx. 11VA (supplied to the AC Adaptor)					
External Dimensions		193 (W) x 262.5 (D) x 84.5 (H) mm					
Net Weight		Approx. 2.5kg					

Dimensions (mm)

FX-120iWP / 200iWP / 300iWP



FX-1200iWP / 2000iWP / 3000iWP



*6: Underhook position



1756 Automation Parkway
San Jose, CA 95131
888-726-5931 or 408-263-5333
andweighing.com

