

Product Details

| Model | ABW 4 | ABW 8 | ABW 16 | ABW 32 |
|---------------------------|--|--------------|--------------|----------------------------------|
| Capacity | 9lb / 4kg | 18lb / 8kg | 35lb / 16kg | 70lb / 32kg |
| Readability | 0.001lb / 0.5g | 0.002lb / 1g | 0.005lb / 2g | 0.01lb / 5g |
| Repeatability | 0.002lb / 1g | 0.005lb / 2g | 0.01lb / 5g | 0.02lb / 10g |
| Linearity | 0.002lb / 1g | 0.005lb / 2g | 0.01lb / 5g | 0.02lb / 10g |
| Pan Size | 9.6"x7.1" / 245x180mm | | | 11.8"x8.3" / 300x210mm |
| Weighing Units | g, kg, lb, oz, lb:oz | | | |
| Stabilization Time (sec.) | 1 | | | |
| Calibration | External | | | |
| Display | LED with 0.8" / 20mm high digits | | | |
| Power Supply | 12VDC 800mA adapter, Internal rechargeable battery | | | |
| Operating Temperature | 0° to 40°C / 32° to 104°F | | | |
| Housing | ABS plastic | | | |
| Overall Dimensions | 10.0"x11.4"x4.1" / 255x290x105mm | | | 11.8"x12.2"x4.1" / 300x310x105mm |
| Net Weight | 5.5lb / 2.5kg | | | |

Accessories

| Item number | Description |
|-------------|---|
| 3022014061 | In-use cover |
| 2020014062 | In-use cover (pack of 5) |
| 2020014063 | In-use cover (pack of 10) |
| 3002014371 | Hard carrying case |
| 303149759 | Vegetable Scoop (complete with fitting to scales) |
| 303149760 | Confectionery Scoop (complete with fitting to scales) |
| 700660290 | Calibration certificate |

Key Accessories



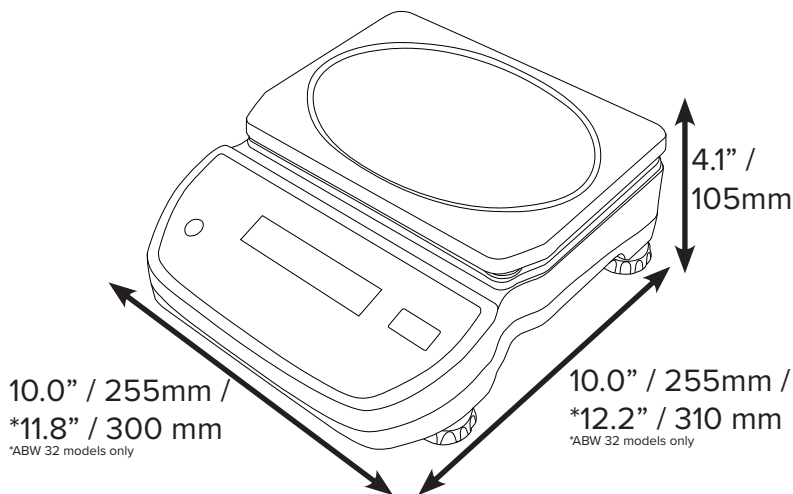
Scoops

Metal scoops are designed to make portioning and food measurement easy. Two sizes available: small and large.



Hard Carrying Case

Allows the Aqua to be placed inside to protect it during transportation. The hard shell case is durable and comes with a lock so that you can secure the scale in the case as needed. Die cut foam insert provides room for the scale, power supply and top pan.



Supplied by:

www.adamequipment.com

Adam Equipment follows a policy of continuous improvement and reserves the right to change specification and pricing without notice. Adam Equipment's standard terms and conditions of sale apply. Errors and omissions excepted.