



Economical Balances For Legal-For-Trade Applications

The PR Series is NTEP certified and Measurement Canada approved, making it suitable for direct sale applications. The PR is equipped with basic weighing, parts counting and percent weighing applications, and is capable of displaying weight in grams, milligrams, carats, ounces, and more. The PR can also be connected to point-of-sale systems or printers via its standard RS-232 port, or via USB or Ethernet through an interface kit. Featuring an easy-to-read, brightly-lit display and a simple user interface, the PR is well-constructed for long-term use, and delivers competitive performance at an economical price.

Standard Features:

- Basic Functionality for Routine Weighing Applications**
 The PR is equipped with three essential weighing modes, RS-232 connectivity for data transfer and storage, making it ideal for routine weighing applications.
- Designed for Uncomplicated Operation with Easy-to-Use Display and Interface**
 Equipped with an easy-to-read, bright backlit display and a simple user interface, the PR is incredibly easy to operate, with almost no training required.
- Smart Design and Durable Construction**
 The PR's small footprint saves desktop space while providing a large weighing surface. The PR is durably constructed, and features a stainless steel pan to withstand day-to-day use in the workplace.

PR SERIES Precision Balances

Model (InCal™)	PR523N									
Model (ExCal)	PR323N/E	PR523N/E	PR322N/E	PR522N/E	PR822N/E	PR2202N/E	PR5202N/E	PR2201N/E	PR5201N/E	PR6201N/E
Capacity (g)	320	520	320	520	820	2200	5200	2200	5200	6200
Readability (g)	0.001		0.01				0.1			
Non-approved Readability d (g)	0.01				0.1				1	
Verification Scale Interval e (g)	0.01				0.1				1	
Class	II				III	II				III
Repeatability STDEV (g)	0.001				0.01				0.1	
Linearity (g)	±0.002				±0.02				±0.2	
Stabilization Time (s)	2				1					
Units	g, mg, ct, dwt, grain, oz, ozt				g, kg, ct, dwt, grain, oz, ozt, lb					
Applications	Basic Weighing, Parts Counting, Percent Weighing									
Pan Size	Ø 4.72 in. / 120 mm				Ø 7.09 in. / 180 mm					
Draftshield Size	6.8 × 5.1 × 8.1 in. / 172 × 131 × 205 mm				N/A					
Power Supply	Power input: 100–240V ~ 200mA 50–60Hz 12–18VA Power output: 12 VDC 0.5A									
Overall Dimensions (W × D × H)	7.9 × 12.5 × 11.9 in. / 201 × 317 × 303 mm				7.9 × 12.5 × 3.7 in. / 201 × 317 × 93 mm					
Operating Conditions	50°F to 86°F / 10°C to 30°C									
Storage Conditions	14°F to 140°F / -10°C to 60°C at 10% to 90% relative humidity, non-condensing									
Net Weight	10 lb / 4.5 kg				7.7 lb / 3.5 kg					
Shipping Weight	15.4 lb / 7 kg				11 lb / 5 kg					
Shipping Dimensions (W × D × H)	20 × 15 × 21 in. / 507 × 385 × 531 mm				21.5 × 15 × 11.5 in. / 550 × 385 × 291 mm					

Other Standard Features and Equipment

ABS top housing, removable stainless steel pan, glass draftshield with sliding top door, integrated weigh-below-hook, security bracket, calibration lock, user-selectable environmental filters and brightness settings, auto-tare, auto-dim, user-selectable span calibration points, software lockout and reset menu, user-selectable communication settings and data print options, user-definable project and user IDs, software overload/underload indicator, stability indicator

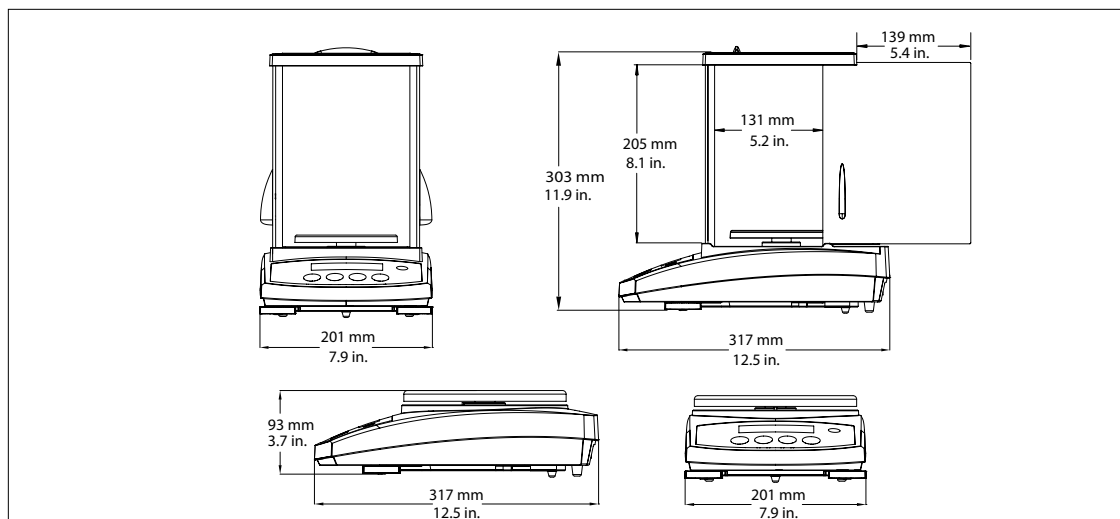
Compliance

- **Metrology:** NIST Handbook 44; Canada Weights and Measures Regulations
- **Product Safety:** IEC/EN 61010-1; CAN/CSA C22.2 61010-1; UL 61010-1
- **Electromagnetic Compatibility:** IEC/EN 61326-1 Class B, Basic Environments; FCC Part 15 Class A; Canada ICES-003 Class A
- **Compliance Marks:** CSA

Accessories

Auxiliary Display	30472064	In-use Cover	30372547
Density Kit	80253384	Printer SF40A	30064203
RS-232 Cable (9-pin).....	80500525	Interface Kit, RS-232 (USB).....	30304141
Dust Cover	30093334	Interface Kit, RS-232 (Ethernet).....	30304102

Dimensions



80775255_B 20181217 © Copyright OHAUS Corporation

OHAUS CORPORATION
 7 Campus Drive
 Suite 310
 Parsippany, NJ 07054 USA
 Tel: 800.672.7722
 973.377.9000
 Fax: 973.944.7177

www.ohaus.com
 With offices throughout
 Europe, Asia, and
 Latin America

The management system
 governing the manufacture
 of this product is ISO 9001:
 2015 certified.

