



# NAVIGATOR<sup>®</sup>

Portable Balances



## *Rugged, Multi-Purpose Balances for a Wide Range of General Weighing Applications*

OHAUS raises the bar in price-performance ratio with the newly-designed Navigator series which is perfect for general weighing applications in laboratory, industrial and education settings. Ruggedly constructed and multifunctional, the Navigator is a powerful balance that can handle a diverse range of weighing applications with features such as fast stabilization time, overload protection at four times its rated capacity, and easy operation.

### *Standard Features:*

- **Designed for Accuracy and Repeatability in Essential Weighing Applications**

Designed for a range of essential weighing applications, the Navigator offers accuracy and repeatability at a competitive pricepoint, making it a valuable tool in laboratory, industrial and education settings.

- **Improved Productivity with Fast Stabilization Time**

The Navigator series is designed to accurately stabilize in less than one second to provide fast and accurate weighing results, improving operator efficiency, productivity and throughput.

- **Mechanical Overload Protection Safeguards the Balance and Increases Durability**

An overload protection system that can withstand loads up to four times the rated capacity safeguards the balance. An integrated shipping lock protects the weighing cell during transportation/storage.

- **Touchless Sensor for Increased Convenience and Efficiency**

The Navigator's touchless sensor frees up your hands for handling samples. Users can zero, print, tare or change functions without touching the balance, keeping sample residue off the keypad.

# NAVIGATOR® Portable Balances

| Model                           | NV222   | NV422      | NV221                        | NV621      | NV1201      | NV2201     | NVT2201                                    | NVT4201    | NVT2200    | NVT6200    | NVT12000    | NVT22000     |
|---------------------------------|---|------------|------------------------------|------------|-------------|------------|--|------------|------------|------------|-------------|--------------|
| Capacity (g)                    | 220   | 420        | 220                          | 620        | 1200        | 2200       | 2200                                       | 4200       | 2200       | 6200       | 12000       | 22000        |
| Readability (g)                 | 0.01  |            | 0.1                          |            |             |            |  | 1          |            |            |             |              |
| Span Calibration Mass*          | 200   |            |                              | 300        | 500         | 1000       |  | 2000       | 1000       | 5000       |             | 10000        |
| Linearity Calibration Mass      | 100, 200 g  | 200, 400 g | 100, 200 g                   | 300, 600 g | 500 g, 1 kg | 1 kg, 2 kg | 1 kg, 2 kg                                 | 2 kg, 4 kg | 1 kg, 2 kg | 3 kg, 6 kg | 5 kg, 10 kg | 10 kg, 20 kg |
| Stabilization Time(s)           | 1   | 1.5        | 1                            |            |             |            |  | 1.5        | 1          |            |             |              |
| Construction                    | ABS housing and stainless steel pan   |            |                              |            |             |            |  |            |            |            |             |              |
| Calibration                     | User-selectable external span or linearity calibration / Digital with external weight |            |                              |            |             |            |  |            |            |            |             |              |
| Tare Range                      | Full capacity by subtraction  |            |                              |            |             |            |  |            |            |            |             |              |
| Weighing Units                  | g, kg, N, oz, ozt, dwt, lb, lb:oz, ct, grain  |            |                              |            |             |            |  |            |            |            |             |              |
| Application Modes               | Weighing, Parts Counting, Percent Weighing, Checkweighing                             |            |                              |            |             |            |  |            |            |            |             |              |
| Power Requirement               | AC adapter (included) or 4 C batteries (not included)                                 |            |                              |            |             |            |  |            |            |            |             |              |
| Typical Battery Life            | 270 hours   |            |                              |            |             |            |  |            |            |            |             |              |
| Temperature Range               | 10 °C (50 °F) to 40 °C (104 °F) at 10% to 85% relative humidity, non-condensing       |            |                              |            |             |            |  |            |            |            |             |              |
| Storage Conditions              | -20 °C (-4 °F) to 55 °C (131 °F) at 10% to 90% relative humidity, non-condensing      |            |                              |            |             |            |  |            |            |            |             |              |
| Communication                   | RS232, USB, or Ethernet (available as accessories)                                    |            |                              |            |             |            |  |            |            |            |             |              |
| Display Type                    | Liquid Crystal Display (LCD) with backlight   |            |                              |            |             |            |  |            |            |            |             |              |
| Display Size                    | 0.78 in. / 20 mm digits   |            |                              |            |             |            |  |            |            |            |             |              |
| Pan Size (W × D)                | Ø 5.7 in. / 145 mm  |            | 7.5 × 5.7 in. / 190 × 144 mm |            |             |            | 9.1 × 6.9 in. / 230 × 174 mm               |            |            |            |             |              |
| Balance Dimensions (W × D × H)  | 8 × 9.1 × 2.8 in. / 204 × 230 × 70 mm   |            |                              |            |             |            | 9.5 × 9.8 × 2.9 in. / 240 × 250 × 74 mm    |            |            |            |             |              |
| Shipping Dimensions (W × D × H) | 11.8 × 9.8 × 5.3 in. / 300 × 250 × 134 mm   |            |                              |            |             |            | 15.2 × 13.2 × 6.7 in. / 385 × 335 × 170 mm |            |            |            |             |              |
| Net Weight                      | 2.2 lb / 1.0 kg   |            |                              |            |             |            | 3.3 lb / 1.5 kg                            |            |            |            |             |              |
| Shipping Weight                 | 3.3 lb / 1.5 kg   |            |                              |            |             |            | 5.1 lb / 2.3 kg                            |            |            |            |             |              |

\*not included

## Other Standard Features and Equipment

ABS housing, stainless steel pan, transportation lock, menu and calibration lockswitch, slip-resistant and adjustable feet, leveling bubble, mechanical and software overload/underload protection, stability indicator, low battery indicator, auto shut-off, user-selectable print options, user-selectable communication settings

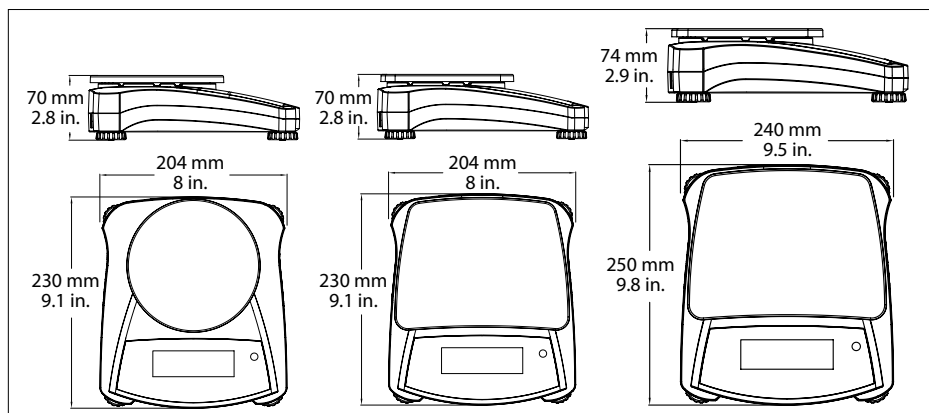
## Compliance

- **Product Safety:** IEC/EN 61010-1
- **Electromagnetic Compatibility:** IEC/EN 61326-1 Class B, Basic environments; FCC Part 15 Class B; Canada ICES-003 Class B
- **Compliance Marks:** CE; RCM

## Accessories

|                               |          |                         |          |
|-------------------------------|----------|-------------------------|----------|
| USB Interface.....            | 83032108 | Carrying Case .....     | 30467963 |
| RS232 Interface .....         | 83032107 | Adapter with plugs..... | 30467987 |
| Ethernet Interface.....       | 83032109 | Printer, SF40A, AM..... | 30064203 |
| Rechargeable Battery Kit..... | 83032106 |                         |          |

## Dimensions



80775652 20181024 © Copyright OHAUS Corporation

**OHAUS CORPORATION**  
7 Campus Drive  
Suite 310  
Parsippany, NJ 07054 USA

Tel: 800.672.7722  
973.377.9000  
Fax: 973.944.7177

[www.ohaus.com](http://www.ohaus.com)

The management system governing the manufacture of this product is ISO 9001:2015 certified.

