



This document hosted by  
**OldWillKnottScales**  
~ ~ CLICK HERE ~ ~  
to visit us the next  
time you need a scale!

# **EB Series**

**Compact Bench Scales**



## ***The OHAUS EB Series Compact Bench Scale – Utility, Portability, OHAUS Quality and Value.***

Weigh, count, checkweigh, checkcount, percent weigh—the OHAUS EB Series Scale is a multi-function weighing scale designed as a cost-effective, high-performance equipment for a multitude of light to medium industrial applications. With fast and accurate displayed results, multiple functionality and internal battery operation, the OHAUS EB Series offers versatility, portability and dependability in one affordable package.

### ***Standard Features Include:***

- Maximum displayed resolution of 1:30,000
- Stainless steel weighing pan
- Four weighing units: kg, g, lb and oz
- Application modes: Checkweighing, Counting and Percent Weighing
- User-programmable weight and parts HI/LO checking mode with audible buzzer
- 80-hour internal rechargeable battery with power-saving auto-shut off feature
- Included in-use cover
- Industry leading quality and support

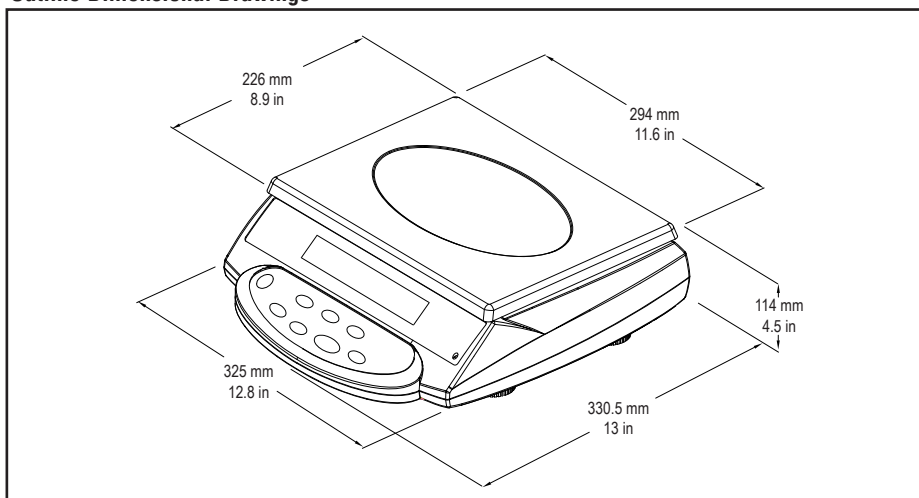
# EB Series Compact Bench Scale

| Specifications                 | EB3  | EB6  | EB15  | EB30  |
|--------------------------------|--|--|---|---|
| Capacity x Readability         | 6.6 lb x 0.0002 lb<br>105 oz x 0.005 oz<br>3 kg x 0.0001 kg<br>3,000 g x 0.1 g | 13 lb x 0.0005 lb<br>208 oz x 0.01 oz<br>6 kg x 0.0002 kg<br>6,000 g x 0.2 g | 33 lb x 0.001 lb<br>528 oz x 0.02 oz<br>15 kg x 0.0005 kg<br>15,000 g x 0.5 g | 66 lb x 0.002 lb<br>1056 oz x 0.05 oz<br>30 kg x 0.001 kg<br>30,000 g x 1 g |
| Maximum Displayed Resolution   | 1:30,000   | 1:30,000   | 1:30,000  | 1:30,000  |
| Construction                   | Stainless steel pan, plastic housing   |  |   |   |
| Weighing Units                 | lb, oz, kg, g  |  |   |   |
| Application Modes              | Weighing, Counting, Checkweighing, Percent Weighing, Accumulation              |  |   |   |
| Repeatability (std. deviation) | 1d   |  |   |   |
| Linearity                      | ± 1d   |  |   |   |
| Display                        | 1-window backlit LCD display, 1-inch / 25.4 mm high, 6-digit, 7-segment        |  |   |   |
| Display Indicators             | Stability, Center of Zero, Gross, Tare, Battery Status, Hi-Ok-Lo, Units        |  |   |   |
| Hi-Lo Check Indicators         | Display with alert beeper  |  |   |   |
| Keyboard                       | 7 raised tactile membrane switches:<br>M+, Units, Zero, Tare, Check, Count, %  |  |   |   |
| Zero Range                     | 4% of full scale capacity  |  |   |   |
| Tare Range                     | Full capacity by subtraction (except EB15, up to 10kg only)                    |  |   |   |
| Stabilization Time             | ≤ 2 seconds  |  |   |   |
| Operating Temperature          | 32°F to 104°F / 0° to 40°C   |  |   |   |
| Humidity Range                 | ≤ 90% relative humidity, non-condensing  |  |   |   |
| Power                          | AC Adapter 12V DC / 800mA<br>Internal rechargeable sealed lead acid battery    |  |   |   |
| Battery Life                   | 80 hours continuous use with 12 hour recharge time                             |  |   |   |
| Calibration                    | External with kg/g mass, factory calibration recovery                          |  |   |   |
| Shipping Protection            | Shipping screw to avoid damage to sensitive components                         |  |   |   |
| Safe Overload Capacity         | 120% of capacity   |  |   |   |
| Pan Size (W x L)               | 11.6 x 8.9in / 294 x 226mm   |  |   |   |
| Scale Dimensions (W x L x H)   | 12.8 x 13 x 4.5in / 325 x 330.5 x 114mm  |  |   |   |
| Shipping Dimensions            | 17.3 x 14.2 x 6.3in / 440 x 360 x 160mm  |  |   |   |
| Net Weight                     | 9.3lb / 4.2kg  |  |   |   |
| Shipping Weight                | 11.7lb / 5.3kg   |  |   |   |
| Other Features                 | Auto-zero tracking, filtering level  |  |   |   |

## Approvals

- **Electrical/Emissions:** Meets requirements of approval agencies: UL (adapter), FCC, CE Safety EN61558, EMC EN61326

## Outline Dimensional Drawings



## OHAUS CORPORATION

\* 19A Chapin Road  
P.O. Box 2033  
Pine Brook, NJ 07058 USA

Tel: 800.672.7722  
973.377.9000  
Fax: 973.593.0359

www.ohaus.com

With offices throughout Europe,  
Asia, and Latin America

## \* ISO 9001

Registered Quality Management System

80774390 © Copyright OHAUS Corporation

