



Defender® 3000 Xtreme

Washdown Bench Scales



Designed with affordability in mind, but with no compromise on quality!

The OHAUS Defender 3000 Xtreme Series economy line of bench scales is ideal for general weighing and simple counting applications in wet or damp environments. The Defender 3000 Xtreme Series feature a simple, rugged tubular stainless steel base protected to NEMA 4X/IP65, with overload stops and durable stainless steel pan. The Defender 3000 Xtreme Series is the solution to your weighing applications that require dependability within an affordable budget.

Standard Features Include:

- Default resolution 1:6000 to 7500d; NTEP certified and Measurement Canada approved to 3,000e.
- 304 stainless steel pan with stainless steel frame and stainless steel IP67 load cell
- Indicator features a stainless steel housing with NEMA 4X / IP65 protection
- Adjustable non-slip rubber leveling feet with externally visible level indicator
- Multiple weighing units: lb, oz, lb:oz, kg, g (depending on model)
- Parts counting mode with selectable sample sizes, last sample size and average piece weight data
- 1-in/25mm high LCD weight display with high-contrast backlight
- Built-in RS232 for printing and data connection
- Internal universal switching power supply and 58-hour internal rechargeable battery included

Defender® 3000 Xtreme Washdown Bench Scales

Models	D32XW15VR	D32XW30VR	D32XW60VR	D32XW60VL	D32XW150VL	D32XW150VX	D32XW300VX	
Capacity x Readability (d)	33 lb x 0.005 lb 5,28 oz x 0.1 oz 15 kg x 0.002 kg 15,000 g x 2 g	66 lb x 0.01 lb 1056 oz x 0.2 oz 66 lb x 0.2 oz (lb:oz) 30 kg x 0.005 kg 30,000 g x 5 g	132 lb x 0.02 lb 2,112 oz x 0.5 oz 60 kg x 0.01 kg 60,000 g x 10 g	132 lb x 0.02 lb 2,112 oz x 0.5 oz 60 kg x 0.01 kg 60,000 g x 10 g	330 lb x 0.05 lb 5,280 oz x 1 oz 150 kg x 0.02 kg 150,000 g x 20 g	330 lb x 0.05 lb 5,280 oz x 1 oz 150 kg x 0.02 kg 150,000 g x 20 g	330 lb x 0.05 lb 5,280 oz x 1 oz 150 kg x 0.02 kg 150,000 g x 20 g	660 lb x 0.1 lb 10,576 oz x 2 oz 660 lb x 2 oz (lb:oz) 300 kg x 0.05 kg 300,000 g x 50 g
Capacity x Readability (d) (Cal unit lb)	30 lb x 0.005 lb 4,80 oz x 0.1 oz (lb:oz) 13.6 kg x 0.002 kg 13,600 g x 2 g	60 lb x 0.01 lb 960 oz x 0.2 oz (lb:oz) 27 kg x 0.005 kg 27,000 g x 5 g	150 lb x 0.02 lb 2,400 oz x 0.5 oz 68 kg x 0.01 kg 68,000 g x 10 g	150 lb x 0.02 lb 2,400 oz x 0.5 oz 68 kg x 0.01 kg 68,000 g x 10 g	300 lb x 0.05 lb 4,800 oz x 1 oz 300 lb x 1 oz (lb:oz) 136 kg x 0.02 kg 136,000 g x 20 g	300 lb x 0.05 lb 4,800 oz x 1 oz 300 lb x 1 oz (lb:oz) 136 kg x 0.02 kg 136,000 g x 20 g	300 lb x 0.05 lb 4,800 oz x 1 oz 300 lb x 1 oz (lb:oz) 136 kg x 0.02 kg 136,000 g x 20 g	600 lb x 0.1 lb 9,600 oz x 2 oz 600 lb x 2 oz (lb:oz) 272 kg x 0.05 kg 272,000 g x 50 g
Displayed Resolution	1:7,500	1:6,000	1:7,500	1:7,500	1:7,500	1:7,500	1:6,000	
Capacity x Readability approved (e) (Cal unit lb)	30 lb x 0.01 lb 4,80 oz x 0.2 oz	60 lb x 0.02 lb 960 oz x 0.5 oz	150 lb x 0.05 lb 2,400 oz x 1 oz	150 lb x 0.05 lb 2,400 oz x 1 oz	300 lb x 0.1 lb 4,800 oz x 2 oz	300 lb x 0.1 lb 4,800 oz x 2 oz	600 lb x 0.2 lb 9,600 oz x 5 oz	
Displayed Resolution	1:3000							
Displayed/Approved Resolution	1:6000d/1:3000e depending on capacity/readability							
Platform Dimensions (W x D x min H)	12 x 14 x 4.8 in / 305 x 355 x 123 mm			16.5 x 21.6 x 5.4 in / 420 x 550 x 136 mm		19.7 x 25.6 x 5.8 in / 500 x 650 x 147 mm		
Front View Dimensions (F1 x F2 x F3 x F4 x F5 x F6)	8.2 x 6.5 x 12 x 4.8 x 3 x 10 in 210 x 166 x 305 x 119 x 75 x 256 mm			8.2 x 6.5 x 16.5 x 5.4 x 3.2 x 14.6 in 210 x 166 x 420 x 145 x 80 x 371 mm		8.2 x 6.5 x 19.7 x 5.6 x 3.5 x 17.3 in 210 x 166 x 500 x 154 x 90 x 440 mm		
Side View Dimensions (S1 x S2 x S3 x S4 x S5)	22.5 x 18.6 x 14 x 12 x 2 in 572 x 472 x 355 x 306 x 52 mm			36.2 x 26.3 x 21.7 x 19.7 x 2 in 920 x 668 x 550 x 500 x 52 mm		36.2 x 29.1 x 25.6 x 23.2 x 2 in 920 x 740 x 650 x 590 x 52 mm		
Column	13.8 in / 350 mm fixed height, stainless steel			27.6 in / 700 mm fixed height, stainless steel				
Safe Overload Capacity	125% of rated capacity							
Functions	Weighing, Parts Counting							
Weight Display	6-digit, 7-segment backlit LCD, 1 inch / 25 mm high digits							
Keyboard	4 function mechanical keys, raised, tactile							
Stabilization Time	Within 2 seconds							
Auto-zero Tracking	Off, 0.5, 1 or 3 divisions							
Key Zeroing Range	2% or 100% of capacity							
Span Calibration	5 lb/kg to 100% of capacity, user selectable							
Power	100 - 240 VAC/50-60 Hz internal switching power supply with internal rechargeable sealed lead-acid battery (58-hour typical operation with full charge)							
Interface	Bidirectional RS232C							
Operating Temperature Range	14°F to 104°F / -10°C to 40°C, Maximum relative humidity 80 % for temperatures up to 88°F / 31°C, decreasing linearly to 50 % relative humidity at 104°F / 40°C, non condensing							
Net Weight	33 lb / 15 kg		53 lb / 24 kg		60 lb / 27 kg		84 lb / 38 kg	
Shipping Weight	41 lb / 19 kg		61 lb / 28 kg		67 lb / 30 kg		96 lb / 44 kg	
Shipping Dimensions	25.3 x 19.6 x 8.5 in / 642 x 497 x 212 mm			33.7 x 22.2 x 8.9 in / 857 x 564 x 225 mm		40.2 x 27 x 9.7 in / 1022 x 687 x 247 mm		

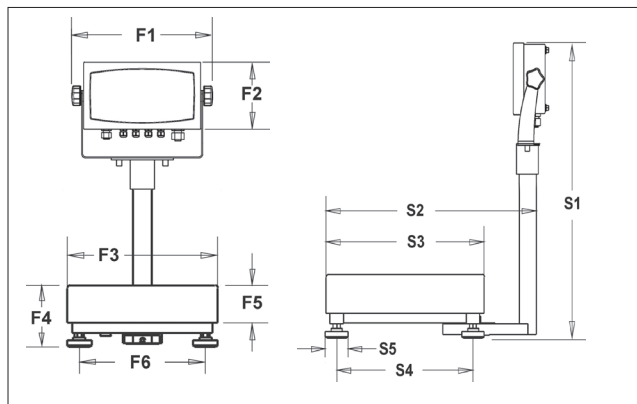
Other Standard Features and Equipment

Stainless steel indicator, built-in RS232C with manual/continuous/interval printing, hardware configuration lockout switch. Software included for parts counting mode with selectable sample sizes, selectable span calibration points, averaging level, auto-zero tracking, power saving auto-off, Geo Code geographical gravity calibration adjustment and software menu lockouts.

Accessories

Call OHAUS for information on wheel kit, USB and Ethernet adapters, printer and cable accessories. Dimensions

Outline Dimensions



Compliance

- Markings: CE, μ UL_{us}
- Metrology: NTEP Certificate of Conformance 08-066 for Indicator, 08-021 for Bases; Measurement Canada Notice of Approval AM-5713C for Indicator, AM-5667 for Bases
- Product Safety: EN 60950-1; UL 60950-1; CSA C22.2 60950-1
- Electromagnetic Compatibility: EN 61326-1 Class B, Basic environments; FCC Part 15 Class A; ICES-003 Class A

OHAUS CORPORATION

* 7 Campus Drive
Suite 310
Parsippany, NJ 07054 USA

Tel: 800.672.7722
973.377.9000
Fax: 973.944.7177

www.ohaus.com

With offices throughout
Europe, Asia, and
Latin America

*ISO 9001:2008
Registered Quality
Management System

