

# HW-G series

## INSTRUCTION MANUAL

---

### Digital Platform Scale

HW-10KGL

HW-10KGV

HW-60KGL

HW-60KGV

HW-100KGL

HW-100KGV

HW-200KGL

HW-200KGV

**AND**  
A&D MERCURY PTY. LTD.



This is a hazard alert mark.



This mark informs you about the operation of the product.

**Note** This manual is subject to change without notice at any time to improve the product. No part of this manual may be photocopied, reproduced, or translated into another language without the prior written consent of A&D Mercury Pty. Ltd..

Product specifications are subject to change without any obligation on the part of the manufacturer.



# Contents

1	Compliance .....	3
1.1	Compliance with FCC rules .....	3
2	Outline and Features .....	4
3	Unpacking .....	5
3.1	Accessories and Options list .....	6
4	Caution .....	8
4.1	Precautions for Installing the Scale .....	8
4.2	Precautions for Operating the Scale .....	8
4.3	Precautions for Storing the Scale .....	8
5	Installing the Scale .....	9
5.1	Installing the batteries for Type L .....	11
6	Names .....	12
6.1	Display and Symbols .....	13
6.2	Switches .....	15
7	Basic Operation .....	17
7.1	Turning the Scale on/off and Weighing .....	17
7.1.1	Type V or Type L with AC adaptor .....	17
7.1.2	Type L with Batteries .....	18
7.2	Tare (and Net Display) .....	19
7.2.1	Semi-Automatic Tare (Input by Weighing) .....	19
7.2.2	Preset Tare (Digital Input of Known Tare) .....	19
7.3	Mode Switch (Changing Unit and Mode) .....	20
8	Counting Mode .....	21
8.1	Storing a Unit Mass .....	21
8.2	Counting the number of articles .....	22
9	Percentage Mode .....	23
9.1	Storing a 100% Mass .....	23
9.2	Reading Percentage .....	24
10	Accumulation Function .....	25
10.1	Preparation (Setting Parameters) .....	26
10.2	Operation and Performance (Examples) .....	27
11	Comparator Function .....	28
11.1	Preparation (Setting Parameters) .....	29
11.2	Operation and Performance (Examples) .....	31
12.	Full/Dribble Batch Function .....	32
12.1	Preparation (Setting Parameters) .....	34
13.	Simple Batch Function .....	36
13.1	Preparation (Setting Parameters) .....	37
13.2	Operation and Performance (Examples) .....	38

14	Calibration (Adjusting the Scale).....	39
14.1	The Gravity Acceleration Table .....	40
14.2	The Complete Calibration Procedure .....	41
14.2.1	Gravity Acceleration Correction .....	41
14.2.2	Preparation .....	41
14.2.3	Calibration of the Zero Point.....	42
14.2.4	Span Calibration .....	42
15	The Function Table .....	43
15.1	The Procedure for Setting Parameters .....	43
15.2	Parameter List .....	44
16	RS-232C Serial Interface .....	48
16.1	Data Format .....	49
16.2	Stream Mode .....	51
16.2.1	Preparation and Performance (Examples) .....	51
16.3	Command mode .....	52
16.3.1	Command List .....	52
16.4	Preparation (Setting Parameters) .....	55
17	Options .....	56
17.1	RS-232C/ Relay output/ Buzzer (OP-03) .....	56
17.2	RS-422/ RS-485 / Relay output (OP-04) .....	57
17.2.1	Communication Format .....	59
17.2.2	Command List .....	59
17.3	Internal Printer for Type V (OP-06) .....	62
18	Specifications .....	65
19	Maintenance .....	68
19.1	Repair .....	68
19.2	Check points Before Calling Maintenance .....	68



# 1 Compliance



## 1.1 Compliance with FCC rules

Please note that this equipment generates, uses and can radiate radio frequency energy. This equipment has been tested and has been found to comply with the limits of a Class A computing device pursuant to Sub-part J of Part 15 of FCC rules. These rules are designed to provide reasonable protection against interference when this equipment is operated in a commercial environment. If this unit is operated in a residential area it might cause some interference and under these circumstances the user would be required to take, at his own expense, whatever measures are necessary to eliminate the interference.

(FCC = Federal Communications Commission in the U.S.A.)



## 2 Outline and Features

The HW-G series is a platform scale with a minimum resolution of 1/10000 .

Type L scales have an LCD (Liquid Crystal Display) and use batteries as a power source to provide portability. This type can also use an AC mains adaptor.

Type V scales have a fluorescent display so the weighing value can be read in dim light. This type uses the AC power line as a power source.

The base unit (platform) is water-resistant in accordance with IP-65 specifications.

The counting mode function converts the total mass value (total weight) of articles to a count, assuming all items to have the same mass.

The percentage mode function displays the mass of an item as a percentage of a stored 100% mass.

The accumulation function accumulates each weighing value and counts the number of weighings.

The comparator function compares the display value with the upper limit value (HI) and the lower limit value (LO) and displays the result. The result can output if option OP-03 is installed.

The simple batch function or full/dribble batch function can be used for filling to a target mass value. The status of a weighing value can be output if option OP-03 or OP-04 is installed. The outputs are Zero Band, Preliminary and Final.

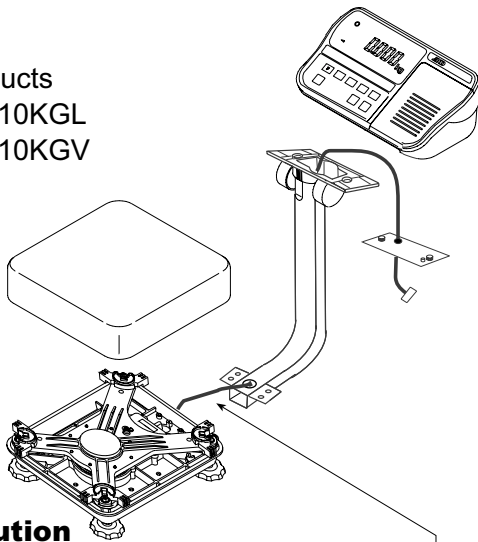
The optional RS-422/RS-485 serial interface can control up to 16 scales from a computer when this option is installed in place of the standard RS-232C serial interface.

Type V scales can be equipped with option OP-06, a built-in impact dot matrix printer.



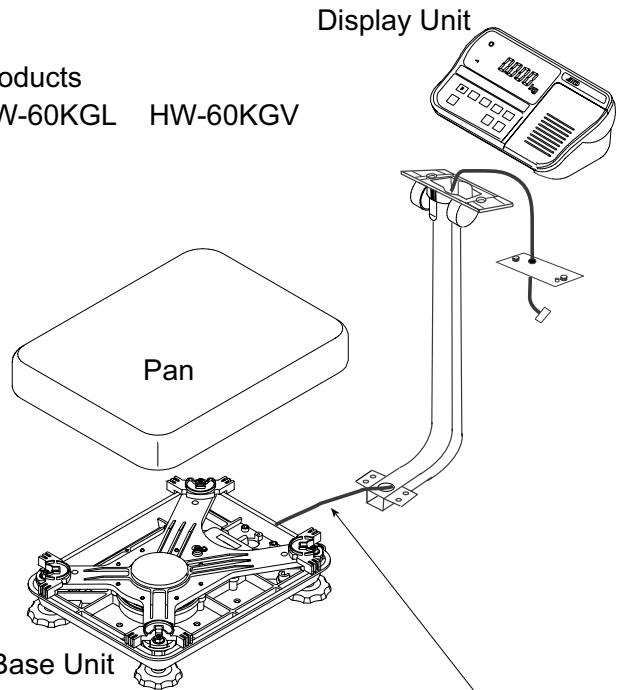
# 3 Unpacking

Products  
HW-10KGL  
HW-10KGV



**Caution**  
Do not pull the load-cell cable.

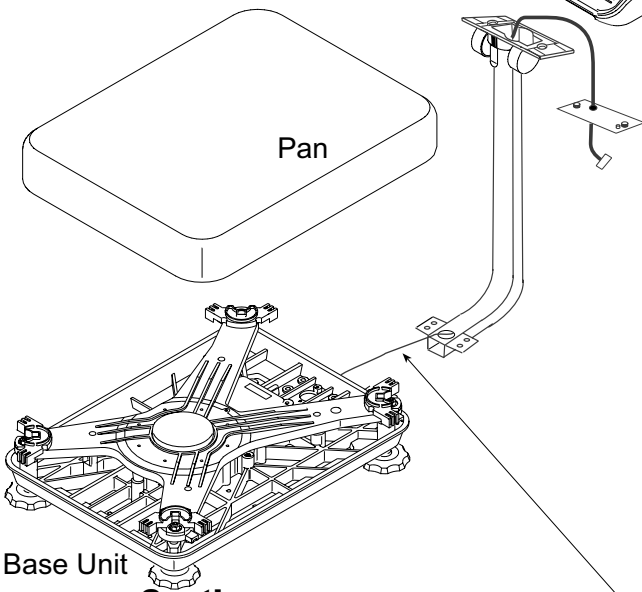
Products  
HW-60KGL HW-60KGV



**Caution**  
Do not pull the load-cell cable.

Products  
HW-100KGL HW-100KGV  
HW-200KGL HW-200KGV

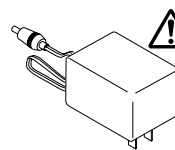
Display Unit



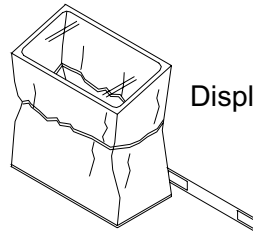
**Caution**  
Do not pull the load-cell cable.

## All Accessories

Refer to the accessories on page 6. The combination of accessories depends upon the model.



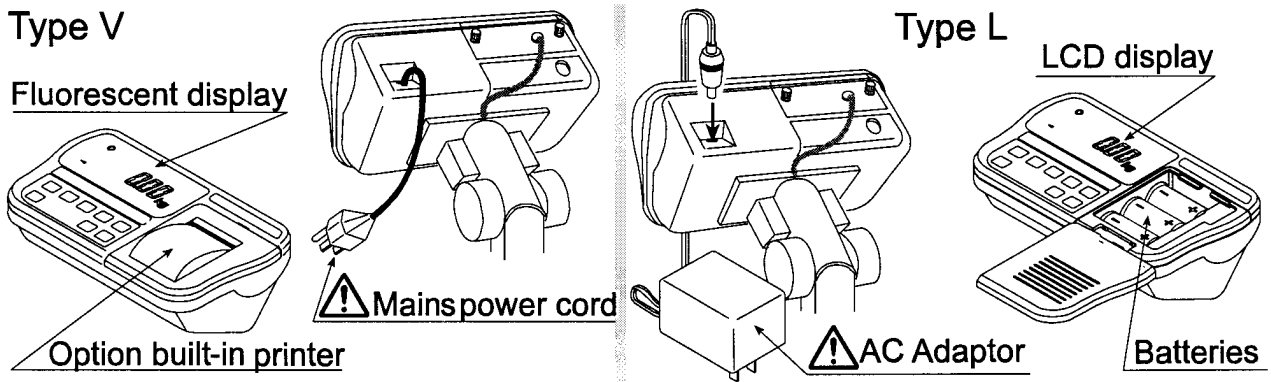
**AC Adaptor**  
**Please confirm that the AC adaptor type is correct for your local voltage and receptacle type.**



Display unit cover



5mm allen wrench



**Please confirm that the mains power type or AC adaptor type is correct for your local voltage and receptacle type.**



## 3.1 Accessories and Options list

### Accessories for HW-G series

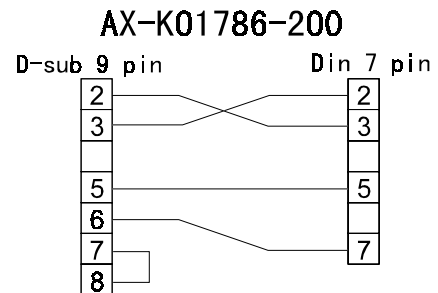
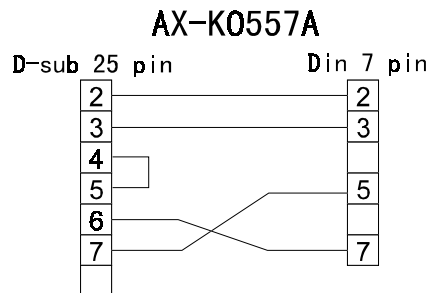
Type	Products	Accessories
Type V	HW-10KGV	Display unit cover Instruction manual
	HW-60KGV HW-100KGV HW-200KGV	Display unit cover 5mm Allen wrench Instruction manual
Type L	HW-10KGL	Display unit cover AC adaptor Instruction manual
	HW-60KGL HW-100KGL HW-200KGL	Display unit cover 5mm Allen wrench AC adaptor Instruction manual

## Options List

Order code or option name		Accessories
OP-03	RS232C interface / Relay output / Buzzer	Connector JA:TCP0586
OP-04	RS422/485 interface / Relay output	Connector TM:BLA9 AC adaptor
OP-06	Built-in printer for type V	Paper PP156 Ink ribbon ERC-05
AX-K0557A RS232C cable, D-sub 25 pin, 2m		
AX-KO1786-200 RS232C cable, D-sub 9 pin, 2m		

## Consumables

AX-PP156-S	Special roll paper (10 rolls in a set)
AX-ERC-05-S	Ink ribbon (5 ribbons in a set)





## 4 Caution



### 4.1 Precautions for Installing the Scale

Consider the following conditions to get the most from your scale.

The best operation is where the temperature and relative humidity are stable, the scale is installed on a solid floor or bench and there is no draft.

Do not install the scale in direct sunlight.

Do not install the scale near heaters or air conditioners.

Do not install the scale where there is flammable or corrosive gas present.

Do not install the scale near equipment which produces magnetic fields.

Do not install the scale where there is likely to be static electricity discharges in a place where the relative humidity is lower than 45%RH. Plastic and isolators are likely to be charged with static electricity.

The display unit is **not water resistant**. Use the display unit cover to avoid damage.

Do not use an unstable power source.



### 4.2 Precautions for Operating the Scale

Periodically check the scale with a known weight.

Calibrate the scale before using it and after moving it to another location.

Do not place anything on the pan which is heavier than the weighing capacity

Do not drop anything onto the pan.

Do not use a sharp instrument such as a pencil or ball-point pen to press the switches. Press the switches gently using only your finger.

We recommend pressing the **ZERO** or **TARE** switch before each weighing to prevent possible error.

Replace used dry cells with six new ones when the **BATT** symbol is displayed. Dry cell (battery) is size D.



### 4.3 Precautions for Storing the Scale

Do not disassemble the scale.

Do not use solvents to clean the scale.

For best cleaning of the display unit, wipe with a dry lint free cloth or a lint free cloth which is moistened with warm water and a mild detergent.

The base unit can be cleaned with gentle water jets while brushing the base unit.

Weigh only after the unit is dry.

Protect the display unit from dust and water by using the vinyl cover.

Remove batteries from display unit when the scale is not in use for a long time. If you leave the batteries installed they may leak and damage the scale.



## 5 Installing the Scale

This procedure includes all of the steps for installing the HW-G series scales

### Step 1 Unpacking

Remove the weighing pan from the carton and place to one side. Remove the base unit and column from the carton, taking care not to pull on the loadcell cable.

### Step 2 Secure the Column

Step 2a Remove the 4 Allen screws from the column lower bracket.

Step 2b Pull the excess loadcell cable through the column as you position the column to the base unit, so as not to damage the loadcell cable. Affix the column to the base unit using four 5mm Allen screws.

### Step 3 Secure the Display Unit

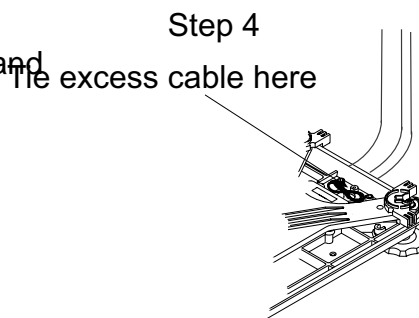
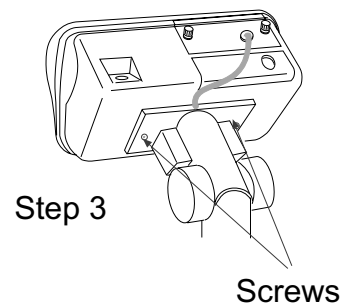
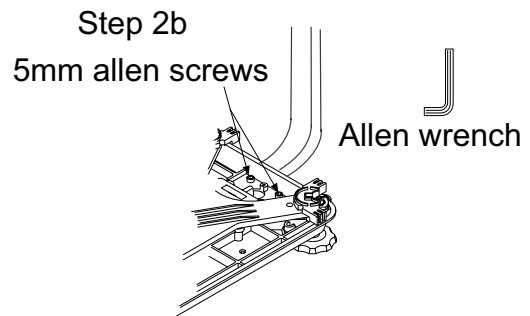
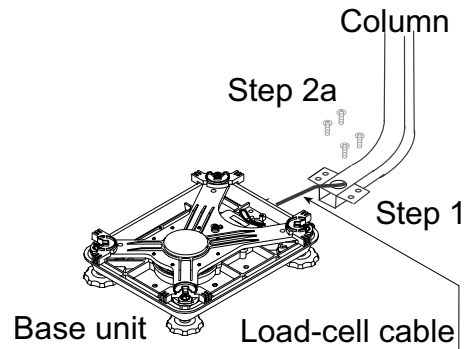
Step 3a Remove the 2 screws from the rear of the display unit, position the display unit onto the column bracket and pull the excess cable back down the centre of the column to the base unit. Ensure that the cable exits via the cut out in the display unit column bracket and secure the headwork with the 2 screws.

Step 3b Carefully make the connection between the cable connector and J1 inside the headwork, then secure the rear display panel.

### Step 4 Fit the Pan

Step 4 Fold the excess cable at the basework end and secure with the 'twist and tie' strip provided.

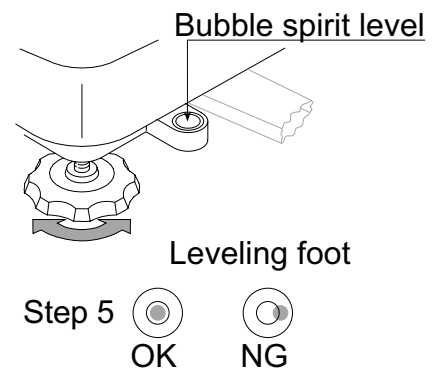
Fit the pan to the base unit.



Select the place where you intend to instal the scale.  
Consider “4. Caution” on page 8.

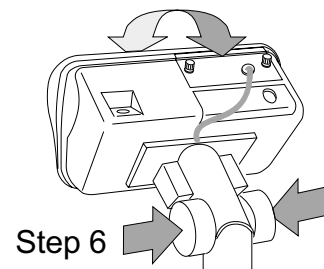
### Step 5 Level the Scale

Level the base unit by using the “Bubble spirit level”  
and “Levelling feet”.



### Step 6 Adjust the Display Unit

Press the caps at the pole top from both sides and  
adjust the angle of the display unit.



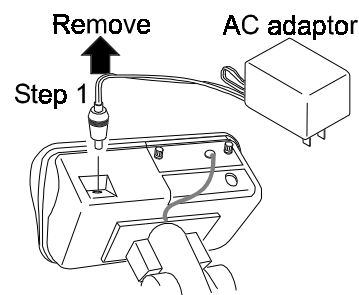
### Step 7 Connect the Power

Install the batteries (see page 11) or connect the AC  
adaptor or mains cable. Check the weighing accuracy.  
If the scale needs calibration, refer to “14 Calibration”.

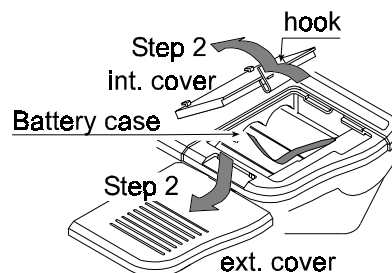


## 5.1 Installing the Batteries for Type L

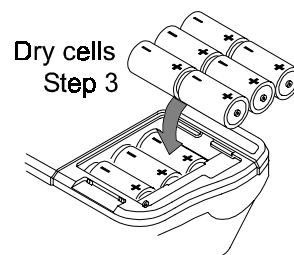
- Step 1 If necessary turn off the display and remove the AC adaptor.



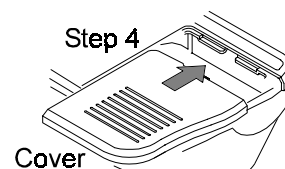
- Step 2 Press and slide downwards to remove the external cover. Press the hook of the internal cover to the left side and lift off the cover.



- Step 3 Insert six new dry cells ensuring correct polarity (+,-). Battery size is 'D'.



- Step 4 Replace the covers removed in step 2.



### Caution

Replace used dry cells with six new ones, when **BATT** is displayed. Do not mix used and new batteries. It may cause damage to the battery or product.

Check the polarity when installing the batteries. If you do not observe this it may cause battery leakage. Also if the polarity of a battery is wrong the scale may only work temporarily.

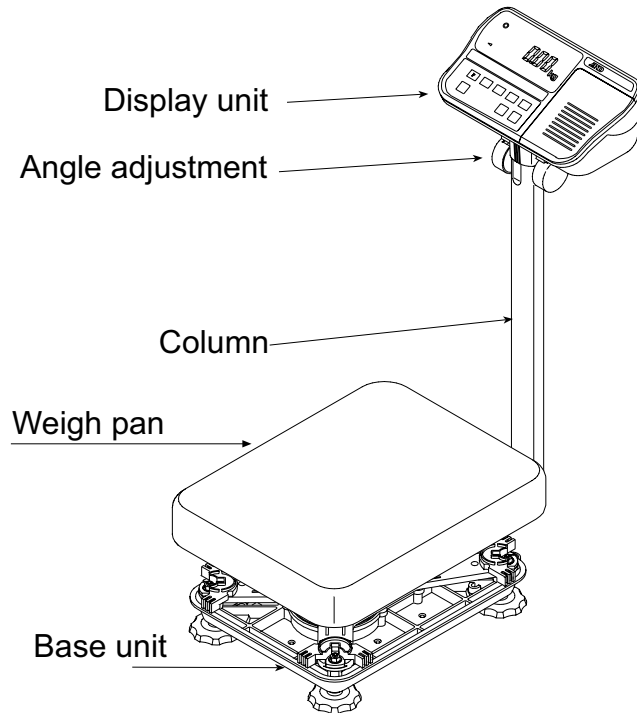
The battery life is dependent upon the environmental temperature.

Remove batteries from the display unit when the scale is not to be used for a long time. They may leak and cause damage.

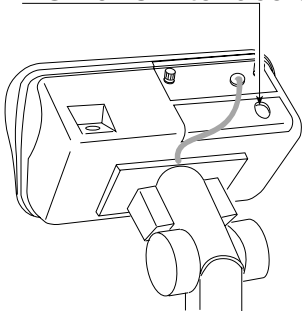
Damage which is due to battery leakage is not covered under warranty.



## 6 Names

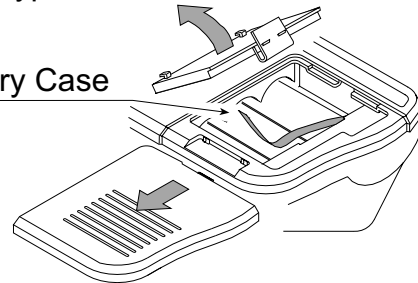


RS-232C Interface connector

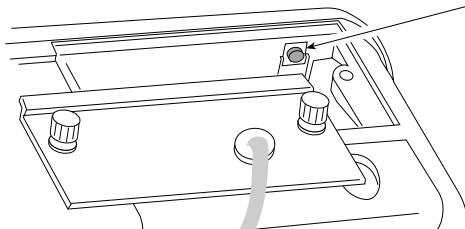


Type L

Battery Case



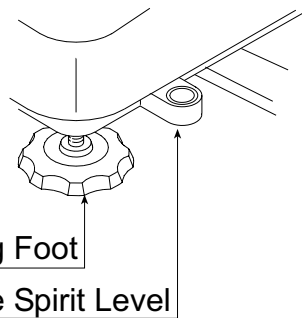
CAL switch  
Calibrating the scale to weigh it correctly.



**Caution**  
It is necessary to use classified mass.

Leveling Foot

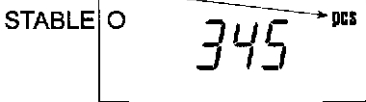
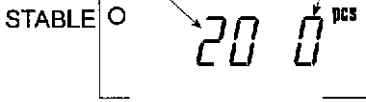
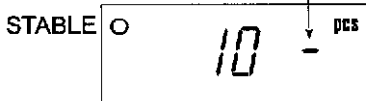

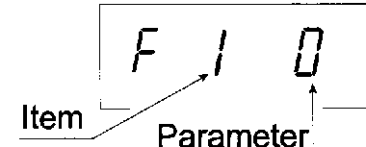
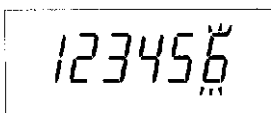

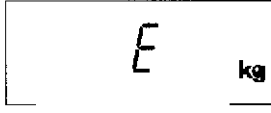
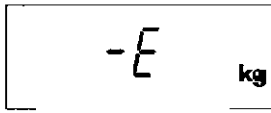

Bubble Spirit Level

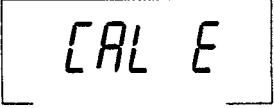

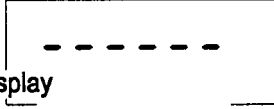














## 6.1 Display and Symbols


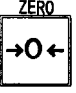
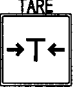
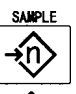
Display and Symbols	Meaning
	<p>Stability mark.</p> <p>When the current weight value is not changing, this mark is displayed. The reading may now be taken.</p>
	<p>Zero point mark.</p> <p>With nothing on the pan and pressing the <b>ZERO</b> switch or with a mass on the pan and pressing the <b>TARE</b> switch, this mark is displayed. The zero point is the starting point to weighing.</p>
	<p>Net mark.</p> <p>After pressing the <b>TARE</b> switch this mark is displayed to show net weight is displayed</p>
	<p>Preset tare mark.</p> <p>When storing a tare with digital input this mark blinks.</p>
	<p>Accumulation mark.</p> <p>When using the accumulation function, this mark is displayed.</p>
	<p>Low battery mark for type L.</p> <p>When the battery power is low this mark is displayed. Replace with six new batteries.</p>
	<p>Ready mark for the full/dribble batch function. This mark shows:</p> <p>ON        The weighing value is within the zero-band.  OFF        The full/dribble batch process is above the zero-band.</p> <p>Blinking    The start or end of the full/dribble batch process above the zero-band.</p>
	<p>The comparator indicator.</p> <p>Using the comparator function and comparing a weighing value with the upper and lower limits, the result is indicated.</p> <p>Using the full/dribble batch function, the full flow gate indicator is shown as OK, the dribble flow gate indicator as HI and the zero band indicator as LO.</p>
<p><b>Weighed mass value</b>      <b>unit</b></p>	<p>Example:- Display of zero (zero point). </p> <p>With an empty weighing pan by pressing the ZERO switch:-  The Zero mark is displayed.  The stability mark is displayed.</p>

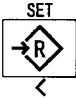



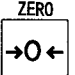
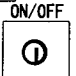

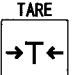
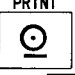

Display and Symbols	Meaning
<p>Unit of counting mode</p> 	<p>Example:- Display of the counting mode. This mode uses the registered unit mass, counts the quantity of articles on the pan. The unit is <sup>PCS</sup>.</p>
<p>20 pieces Zero point</p> 	<p>Example:- Storing the unit mass in the counting mode. This is a display of zero point for counting mode and uses 20 pieces for the unit mass registration.</p>
<p>Not a zero value</p> 	<p>Example:- Storing the unit mass in the counting mode. Sign “-” means “weighing value is not zero”. Sample number is 10 pieces.</p>
<p>Unit of percentage</p> 	<p>Example:- Percentage mode. This mode uses the registered 100% mass, converts the weighing value to a percentage. The unit is % .</p>
<p>Item Parameter</p> 	<p>Example:- Display of the function table. This function table sets parameters of items.</p> <ul style="list-style-type: none"> <li><input type="checkbox"/> switch                    Selecting an item.</li> <li><input type="checkbox"/> switch                    Selecting a parameter of the item.</li> <li><input type="checkbox"/> switch                    Storing new parameters.</li> </ul>
	<p>Example:-. Preset tare. Entering tare with digital input.</p> <ul style="list-style-type: none"> <li><input type="checkbox"/> switch                    Selecting a figure.</li> <li><input type="checkbox"/> switch                    Selecting a number.</li> <li><input type="checkbox"/> switch                    Storing new tare.</li> </ul>
<p>Fixed value kg</p> 	<p>Example:- Hold display The hold display is set using <i>F 12</i> of the function table. When weighing value is “near-zero” or changes more than 25% +30 digits, the hold is cancelled.</p>
	<p>Overload display. Remove everything from the pan.</p>
	<p>Weighing error. Check the base unit and weighing pan.</p>
	<p>Calibration error. Means “Calibration mass is too light”. Check the base unit and weighing pan.</p>

Displays and Symbols	Meaning
	Calibration error. Means "Calibration mass is too heavy". Check the base unit and weighing pan.
Fixed display 	Weighed value is unstable due to drift, vibration etc. when turning on the scale. Check around the weighing pan. Check the connection of the load cell cable.
Fixed display 	Remove everything from the weighing pan. Check around weighing pan. Perform zero point calibration of the scale.
Blinking  or 	Accumulated data count
Blinking  kg or  kg	Total mass value of the accumulated data.
Blinking  or 	Comparator function = display is an upper limit. Full/dribble batch function = display is a final value.
Blinking  or 	Full/dribble batch function = display is a preliminary value.
Blinking  or 	Comparator function = display is a lower limit. Full/dribble batch function = display is the zero band.
CAP. MAX. 10kg d=1g	Description of the weighing capacity and minimum graduation.



## 6.2 Switches

	Power switch. Note Type V is in standby status when power is connected.
	Zero switch. When there is nothing on the pan and the ZERO switch is pressed, the scale displays zero and the zero point mark. Any stored tare is cancelled.
	Tare switch. Used to store the weight of a container when carrying out net weighing.
	Sample switch. Storing the unit mass it is used to select a sample number. In the function table it is used to select a parameter.

	<p>Set switch.  Can be used to turn the comparator on/off. (Refer to <i>F 6</i> )  Counting mode, it is used to enter the mode to store the unit mass.  Percentage mode, it is used to enter the mode to store the 100% mass.  In the full/dribble batch function, it is used as a start switch.  In the preset tare, and selecting calibration mass, it is used to select a figure.</p>
	<p>Mode switch.  Used to change the current unit.  While setting modes, this switch is used for “storing a parameter and proceeding the next step”.</p>
	<p>F switch  Full/dribble batch function it is used to finish the process. (Refer to <i>F 10</i> )  Hold switch. (Refer to <i>F 12</i> )  Setting a preset tare, selects polarity (+,-).</p>
	<p>Print switch.  Used to print or output data. (Refer to <i>F 5, F 9</i> )</p>
<p>Display off  ↓  Press and hold   And press </p>	<p>Used to enter the function table</p>
<p>Press and hold   And press </p>	<p>Used to enter the mode to set a preset tare</p>
<p>Press and hold   And press </p>	<p>Used to perform paper feed for the optional printer for type V.</p>



## 7 Basic Operation



### 7.1 Turning the Scale On/Off & Basic Weighing

#### 7.1.1 Type V or Type L with AC adaptor

- Step 1 Ensure that the pan is empty.
- Step 2 Confirm that local voltage and receptacle type match your scale.
- Step 3 The scale turns on/off using the **ON/OFF** switch alternately.
- Step 4 Check the accuracy of weighing. If you calibrate the scale, perform it after allowing the scale to warm up for 30 minutes.
- Step 5 Press the **ZERO** switch to display zero. (With nothing on the pan.)
- Step 6 Place something gently onto the pan.
- Step 7 You can read the weight after the stability mark is displayed.
- Step 8 Remove the item from the pan.
- Step 9 Turn the scale off using the **ON/OFF** switch.

#### **Memo**

With the power cord connected, type V consumes only sufficient power for standby status after turning off the scale.

With the AC adaptor connected, type L consumes only the power of the AC adaptor after turning off the scale.

## **7.1.2 Type L with Batteries**

- Step 1 Install six new batteries. Refer to “5.1. Installing the batteries for Type L”.
- Step 2 Ensure that the pan is empty.
- Step 3 The scale turns on/off using the **ON/OFF** switch alternately.
- Step 4 Check the accuracy of weighing. If you calibrate the scale, perform it after warming up the scale for 30 minutes. You will need to disable the auto power off function. See 15.2 page 43.
- Step 5 Press the **ZERO** switch to display zero. (With nothing on the pan.)
- Step 6 Gently place something on the pan.
- Step 7 You can read the weight value after the stability mark is displayed.
- Step 8 Remove the item from the pan.
- Step 9 Turn the scale off using the **ON/OFF** switch.

### **Caution**

**Replace used dry cells with six new ones when **BATT** is displayed.**

**Battery life is affected by the environmental temperature.**

**Remove batteries from the display unit when the scale is not to be used for a long time. The batteries may leak and cause damage.**



## 7.2 Tare (and Net Display)

The “Tare” is used to cancel the mass of a container, receptacle, case, bag, etc. which is put on the pan to contain the item to be weighed.

### **Caution**

**The tare reduces the available weighing range.**

**The current tare value is reset by pressing the **ZERO** switch when the pan is empty, or by turning the scale off. (Reset value is zero.)**

### 7.2.1 Semi-Automatic Tare (Input by Weighing)

Step 1 Put the container onto the pan.

Step 2 Press the **TARE** switch. The display becomes zero and the net mark is displayed.

Step 3 It is now possible to put something into the container and to read its net display.

Step 4 Remove all items from the pan.

### 7.2.2 Preset Tare (Digital Input of Known Tare)

Step 1 Press and hold the **SET** switch and press the **TARE** switch. Then the blank or stored tare value is displayed. This blank display means that the tare value is zero (reset value) and **PT** blinks.

Step 2 Set the preset tare value by using the following switches.

**^** switch selecting the value of a digit.

**<** switch selecting a digit.

Step 3 Press the **ENTER** switch to store the new preset tare value. The scale **displays** a net value i.e. the tare value subtracted from the gross weight value.

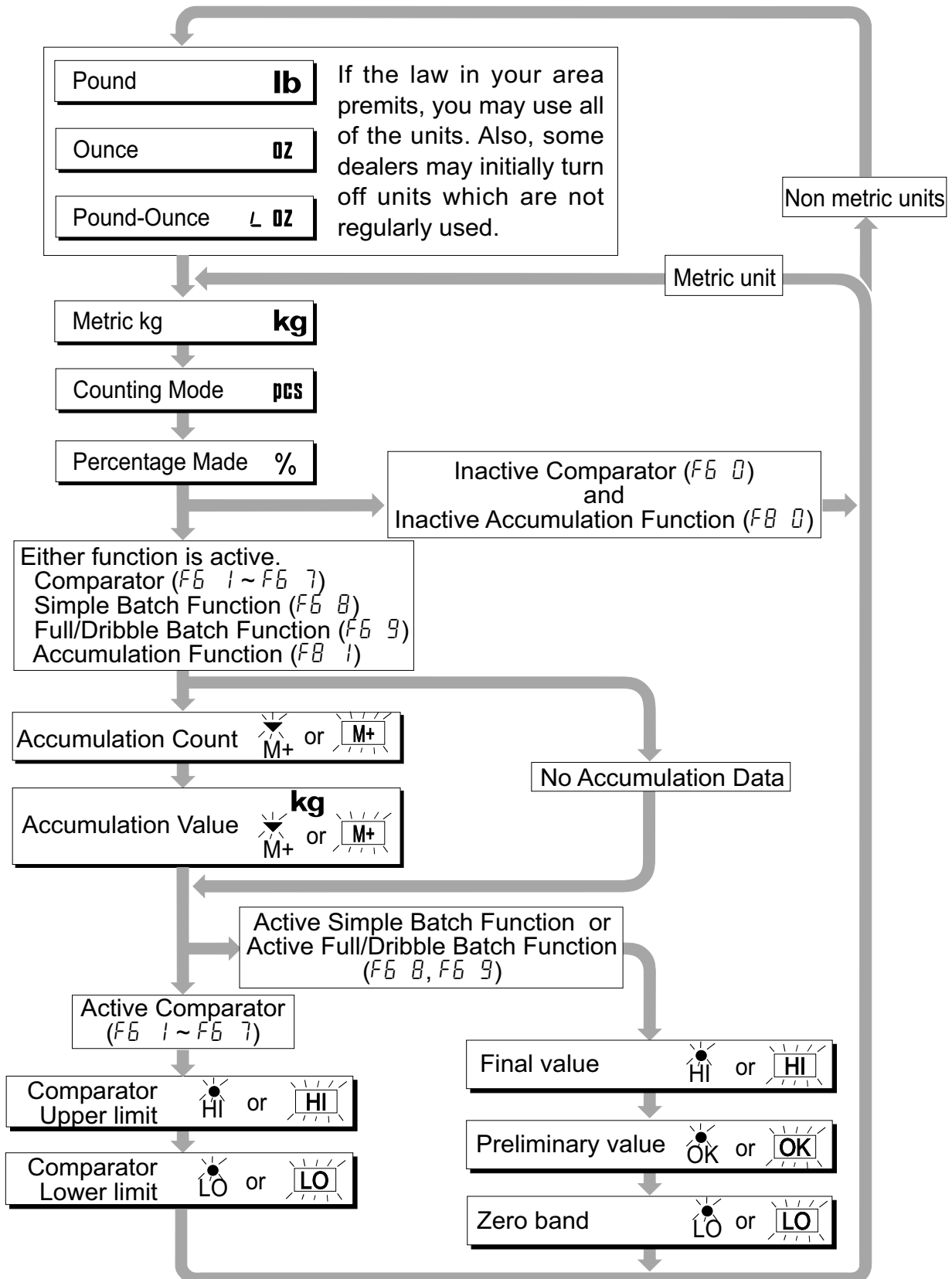
Step 4 It is now possible to put something onto the pan and to read its net weight.

Step 5 Remove all items from the pan.



# 7.3 Mode Switch (Changing Unit & Mode)

Pressing the **MODE** switch the display changes as shown below. Refer to the function table *F3* for available units. Useable units are according to the factory settings.





# 8 Counting Mode

In counting mode the total weight of articles is converted to a count and assumes all articles have the same mass value.

It is necessary to store a unit mass to count articles.



## 8.1 Storing a Unit Mass

- Step 1 Press the **MODE** switch to display the unit **PCS**.
- Step 2 Press the **SET** switch to enter the mode to store a unit mass.
- Step 3 Press the **↕** switch to select the number of samples. The greater the quantity of samples, the greater the accuracy of the count. Select from 5 pieces, 10 pieces, 20 pieces, 50 pieces, 100 pieces
- Step 4 Put the container onto the pan. Press the **TARE** switch.
- Step 5 Put in the number of samples selected at step 3. Press the **ENTER** switch to store the weight after the stability mark is displayed. The count is then displayed.

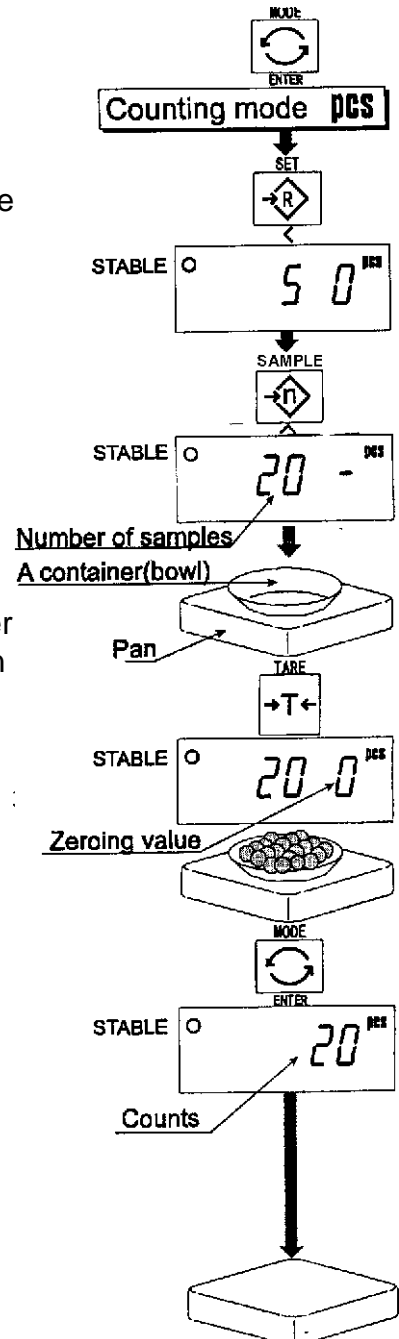
### Caution

When the sample is too light and it is not possible to calculate a unit mass, the scale displays **Lo ut** and returns to step 3. It is necessary to increase the number of samples.

Pressing the **ENTER** switch after the **Lo ut** is displayed, the next unit is displayed.

When the unit mass is too light to store, the scale displays **Lo ut**.

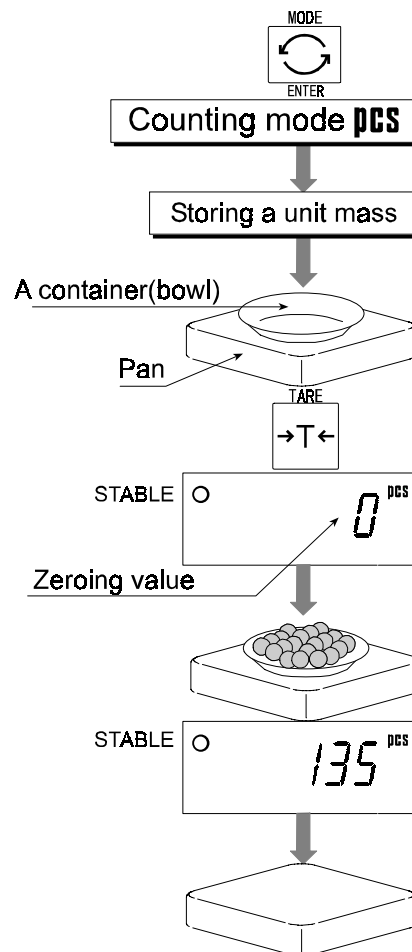
- Step 4 Remove all items from the pan.





## 8.2 Counting the number of articles

- Step 1 Press the **MODE** switch to display the unit **PCS**
- Step 2 Store the unit mass of the item.  
Refer to “8.1 Storing a Unit Mass”
- Step 3 Put the container only onto the pan.  
Press the **TARE** switch.
- Step 5 Put articles into the container and read the count.
- Step 6 Remove all items from the pan.





# 9 Percentage Mode

The percentage mode is to display a mass value in the unit of “%”.

It is necessary to store a 100% mass value in advance to use this function.



## 9.1 Storing a 100% Mass

Step 1 Press the **MODE** switch to display the unit %.

Step 2 Press the **SET** switch to enter the mode that stores a 100% mass.

Step 3 If necessary, with nothing on the pan press the **ZERO** switch to display zero.

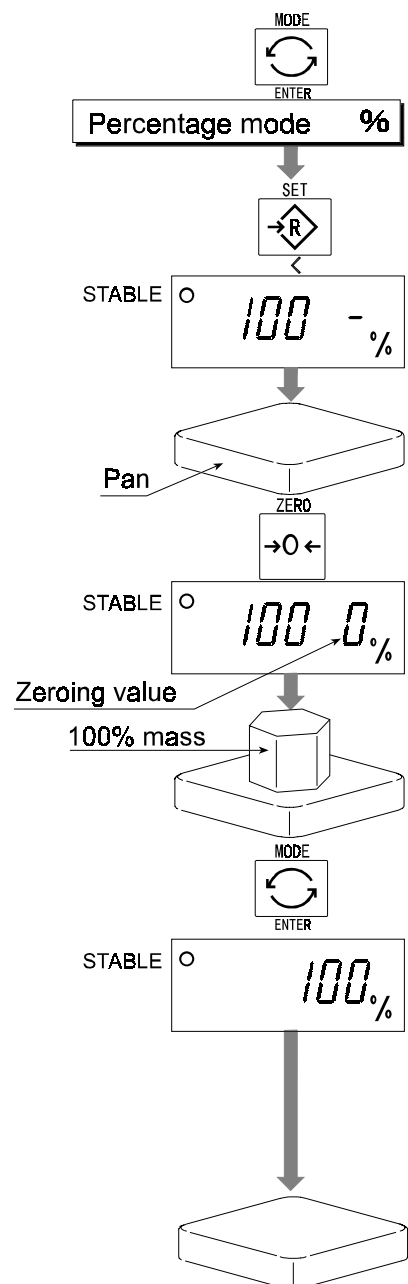
Step 4 Gently place the 100% mass onto the pan. Press the **ENTER** switch to store the mass after the stability mark is displayed. Then the percentage unit is displayed.

### Caution

When the sample is too light and it is not possible to calculate a 100% mass, the scale displays **Lo.** and returns to step 3.

Pressing the **ENTER** switch after **Lo** is displayed, the next unit is displayed.

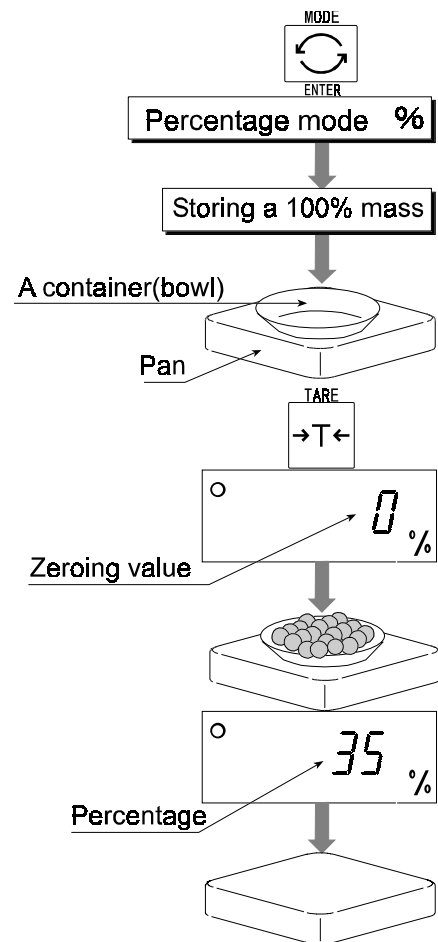
Step 5 Remove all items from the pan.





## 9.2 Reading Percentage

- Step 1 Press the **MODE** switch to display the unit %.
- Step 2 Store the unit mass of the article.  
Refer to “9.1 Storing a 100% Mass “
- Step 3 If a container is needed, put the container only onto the pan and press the **TARE** switch.
- Step 4 It is now possible to put the item into the container and read the percentage.
- Step 5 Remove all items from the pan.





# 10 Accumulation Function

This function counts the number of weighed items, calculates the total mass value and can display the number and accumulated mass value.

It is necessary to set the parameters of the “accumulation function ( *FB* )” in the function table in advance to use this function.

It is necessary to set the parameters of the “print mode ( *FG* )” in the function table in advance to use the optional built-in printer.

## Operation and Switches

The display of the accumulation count has a blinking or without a unit.

The display of the accumulation value has a blinking kg or kg with a unit.

Pressing the **MODE** switch, the accumulation count and accumulation value is displayed.

Pressing the **ZERO** switch in the accumulation function while a blinking or is displayed, resets the current function. The count and accumulated value become zero.

When the optional built-in printer is installed and the **PRINT** switch is pressed, the accumulation data, date and data number are printed. Date is set at function table *F15*.

## Caution

**The accumulation function can only be used with the first weighing unit accumulated, e.g. you cannot accumulate pcs while displaying kg.**

## Parameter List and Word Definition

The “near-zero” is within  $\pm 4$  digits from the zero point in the unit of kg.

The “digit”, a unit of display, is equivalent to the minimum graduation.

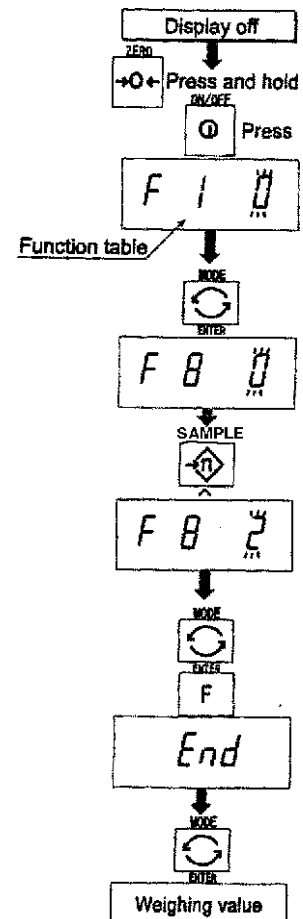
The “zero point” is the fundamental starting point to weighing.

Function table	Meaning & Purpose
<i>FB 0</i>	Accumulation function not used.
<i>FB 1</i>	The scale accumulates the data, if the <b>[F]</b> switch is pressed when the display is a positive stable value above near-zero. The next accumulation can be performed after the display returns to near-zero or to a negative value.
<i>FB 2</i>	The scale accumulates the data, if the <b>[F]</b> switch is pressed, when the display is a stable value and outside near-zero. The next accumulation can be performed after the display returns to near-zero.
<i>FB 3</i>	When the display is a positive stable value, the scale accumulates the data automatically. The next accumulation can be performed after the display returns to near-zero or to a negative value.

Function table	Meaning & Purpose
FB 4	When the display is a stable value, the scale accumulates the data automatically. The next accumulation can be performed after the display returns to near-zero. <b>Use</b> Recording the number and mass of articles removed from the pan. (Put the articles on the pan. Press the <b>TARE</b> switch at each removal.)
FB 5	At each finish of the full/dribble batch function, the scale accumulates the data automatically. <b>Use</b> Packaging articles like a powder, it is used for recording the bag number and total mass.

## 10.1 Preparation (Setting Parameters)

- Step 1 Turn off the display.  
Press the **ON/OFF** switch while the **ZERO** switch is pressed and held. The function table is displayed.
- Step 2 Press the **ENTER** switch to display an item of the accumulation function ( *FB* ).
- Step 3 Select a parameter of the accumulation function ( *FB 1* ~ *FB 4* ) with the **▲** switch.
- Step 4 Press the **ENTER** switch to store the new parameter.  
Press the **F** switch and then the **ENTER** switch to exit from the function table. Then the scale displays the weighing mode.





## 10.2 Operation and Performance (Examples)

### Example 1

Weighing each article, the scale makes the accumulation according to  $\boxed{FB\ 3}$  .

- Step 1 Press the **MODE** switch to display  $\overset{\text{M}^+}{\text{M}}$  or  $\overset{\text{M}^+}{\text{M}}$  .
- Step 2 Press the **ZERO** switch to reset the accumulation data.
- Step 3 Return to the kg mode using the **MODE** switch.  
Press the **ZERO** switch with nothing on the pan.
- Step 4 Put an article on the pan. Wait for the stability mark to be displayed and the value to blink. Remove the article and, if necessary, press the **ZERO** switch.
- Step 5 Weigh additional articles using step 4.
- Step 6 Press the **MODE** switch to display the number of articles and total mass with  $\overset{\text{M}^+}{\text{M}}$  or  $\overset{\text{M}^+}{\text{M}}$  displayed.

### Example 2

This example accumulates the articles that were removed from the pan. The function parameter is set to  $FB\ 4$  .

- Step 1 Enter into the kg mode using the **MODE** switch.  
Put all articles on the pan and press the **TARE** switch.
- Step 2 Press the **MODE** switch to display  $\overset{\text{M}^+}{\text{M}}$  or  $\overset{\text{M}^+}{\text{M}}$  .
- Step 3 Press the **ZERO** switch to reset the accumulation data.  
Return to kg mode with the **MODE** switch.
- Step 4 Remove an article from the pan. Wait for the stability mark to be displayed and the value to be blinking. Press the **TARE** switch.
- Step 5 Remove additional articles using step 4.
- Step 6 Press the **MODE** switch to display the number of articles and total mass removed, with  $\overset{\text{M}^+}{\text{M}}$  or  $\overset{\text{M}^+}{\text{M}}$  displayed.



# 11 Comparator Function

This function compares a display value with the upper limit (HI) and the lower limit (LO) and displays these results.

It is necessary to set the “comparator function (  $\boxed{F6\ 0} \sim \boxed{F6\ 7}$  )” parameters, upper limit value (HI) and lower limit value (LO) in the function table, in advance to use this function.

It is necessary to install option OP-03 or OP-04, if you use the relay output of the comparator.

## Comparator Sign

Comparison results are displayed by indicators  $\overset{\circ}{\text{HI}} \overset{\circ}{\text{OK}} \overset{\circ}{\text{LO}}$  or  $\boxed{\text{HI}} \boxed{\text{OK}} \boxed{\text{LO}}$

## Comparison Condition

weighing value < lower limit value	LO is displayed and output.
lower limit value $\leq$ weighing value $\leq$ upper limit value	OK is displayed and output.
upper limit value < weighing value	HI is displayed and output.

## Parameter List and Word Definition

The “near-zero” is within  $\pm 4$  digits from the zero point in the unit of kg.

The “digit” is a unit of display, and is equivalent to the minimum graduation.

The “zero point” is the fundamental starting point to weighing.

Function table	Meaning and Purpose
$F6\ 0$	Having pressed the $\boxed{\text{SET}}$ switch, the scale will always compare the current display value.
$F6\ 1$	The scale always compares the display value.
$F6\ 2$	Pressing the $\boxed{\text{SET}}$ switch the scale always compares the display value if not near-zero.
$F6\ 3$	The scale always compares the display value if not near-zero.
$F6\ 4$	When the display value becomes stable after pressing the $\boxed{\text{SET}}$ switch, the scale compares the display value. If the $\boxed{\text{SET}}$ switch is pressed again the scale stops the comparison.
$F6\ 5$	When the display value is stable the scale compares the display value. It does not compare on an unstable condition.
$F6\ 6$	When the display value becomes stable while not near-zero, after pressing the $\boxed{\text{SET}}$ switch, the scale compares the display value. It does not compare on an unstable condition. If the $\boxed{\text{SET}}$ switch is pressed again the scale stops the comparison.
$F6\ 7$	When the display value becomes stable and not near-zero, the scale compares the value.

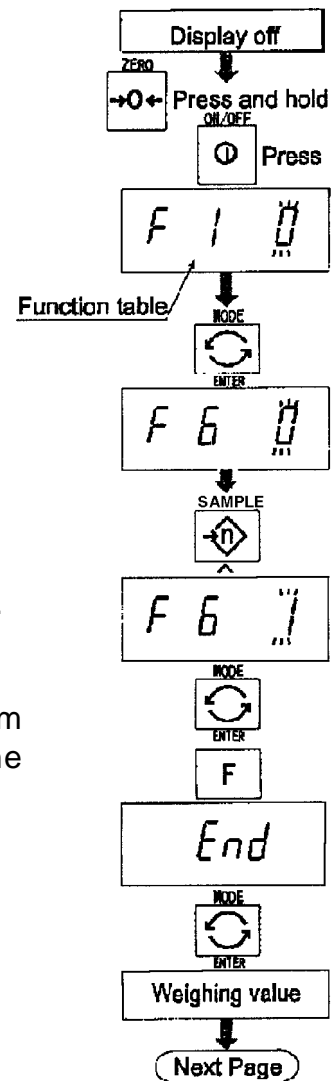
## Caution

**The upper limit value (HI) must be equal to or greater than the lower limit value (LO).**  
**The parameters of the upper limit value (HI) and the final value (HI) use the same memory.**  
**The parameters of the lower limit value (LO) and the zero band (LO) use the same memory.**  
**The upper/lower comparator function, the simple batch function and the full/dribble batch function cannot be used at the same time because these parameters use common memory.**



## 11.1 Preparation (Setting Parameters)

- Step 1 Turn off the display.  
Press the **ON/OFF** switch while the **ZERO** switch is pressed and held. The function table is displayed.
- Step 2 Press the **ENTER** switch to display an item of the accumulation function ( **F6** ).
- Step 3 Select a parameter of the comparator function ( **F6 0 ~ F6 7** ) with the **▲** switch.
- Step 4 Press the **ENTER** switch to store the new parameter.
- Step 5 Press the **F** switch and the **ENTER** switch to exit from the function table. Then the scale displays the weighing mode.



Step 6 If one of **F6 0** , **F6 2** , **F6 4** , **F6 6** has been selected, press the **SET** switch to use the comparator.

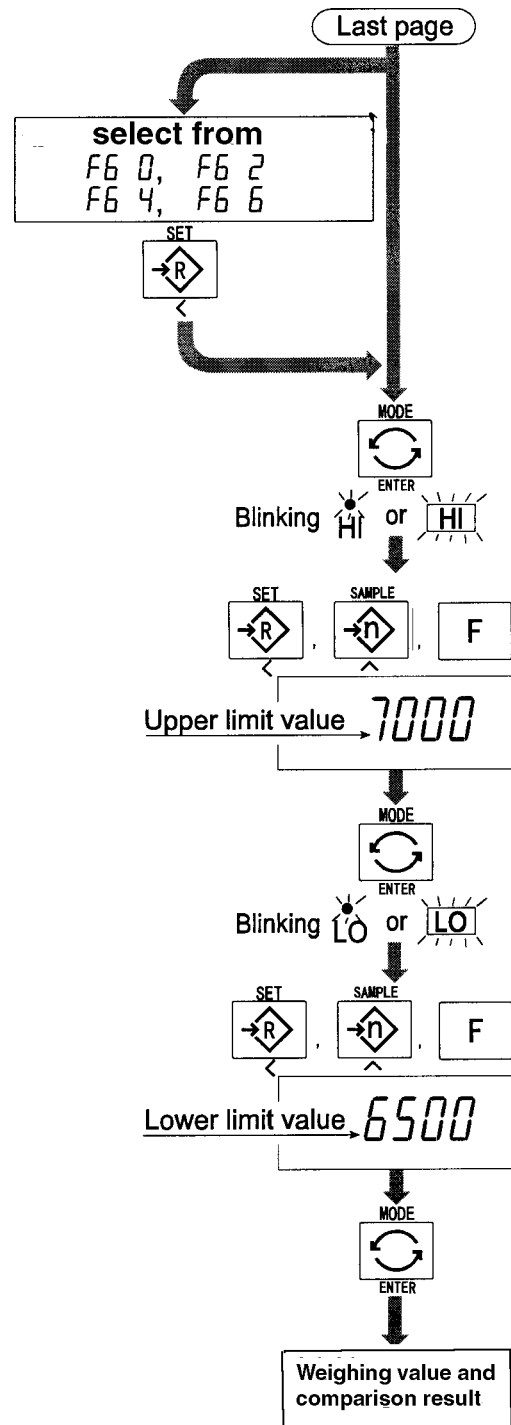
Step 7 Press the **MODE** switch to display the HI, blinking.

Step 8 Set the upper limit value by using the following switches.  
**^** switch Selecting the value of a digit.  
**<** switch Selecting a digit.  
**F** switch Selecting the polarity (+,-).

Step 9 Press the **ENTER** switch to store the new parameter and display the blinking LO.

Step 10 Set the lower limit value by using the following switches.  
**^** switch Selecting the value of a digit.  
**<** switch Selecting a digit.  
**F** switch Selecting the polarity (+,-).

Step 11 Press the **ENTER** switch to store the new parameters and display the weighing mode.





## 11.2 Operation and Performance (Examples)

### Example 1

This example is set as follows:

Function table	<i>F6 3</i>	(If the current display value is not near-zero, the scale compares the display value with the upper limit value and the lower limit value immediately.)
Upper limit value (HI)	7.000kg	
Lower limit value (LO)	6.500kg	

### Case

The comparison starts at turning the scale on.

When the current value is less than 6.500kg, LO is displayed.

When the current value is between 6.500kg and 7.000kg, OK is displayed.

When the current value is greater than 7.000kg, HI is displayed.

### Example 2

This example is set as follows:

Function table	<i>F6 4</i>	(Pressing the <b>SET</b> switch, after the stability mark is displayed, the scale compares the current display value with the upper limit value and the lower limit value immediately.)
Upper limit value (HI)	2.000kg	
Lower limit value (LO)	-1.000kg	

### Case

Pressing the **SET** switch, after displaying the stability mark, the comparison is performed.

When the current value is less than -1.000kg, LO is displayed.

When the current value is between -1.000kg and 2.000kg, OK is displayed.

When the current value is greater than 2.000kg, HI is displayed.



# 12 Full/Dribble Batch Function

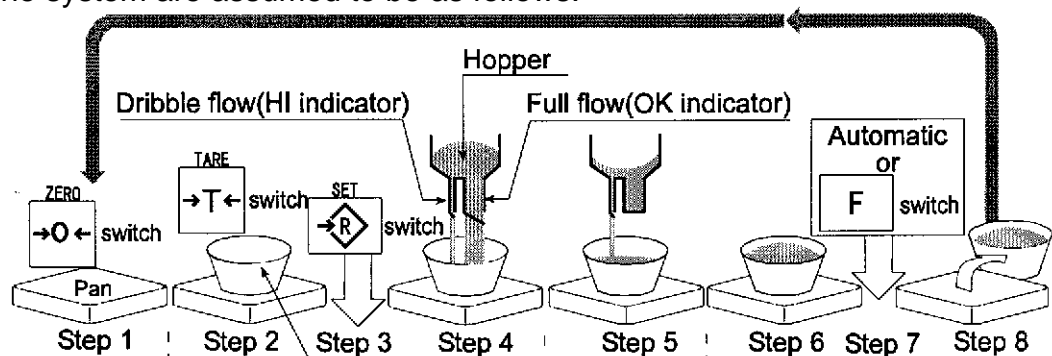
This function changes the scale to a filling machine which sub-divides a bulk product like grain into loads of predetermined and virtually constant mass.

It is necessary to set the parameter of the “comparator function ( F69 )”, “full/dribble batch sub-function ( F100 ~ F103 )” in the function table, final value (HI), preliminary value (OK) and zero band (LO) in advance to use this function.

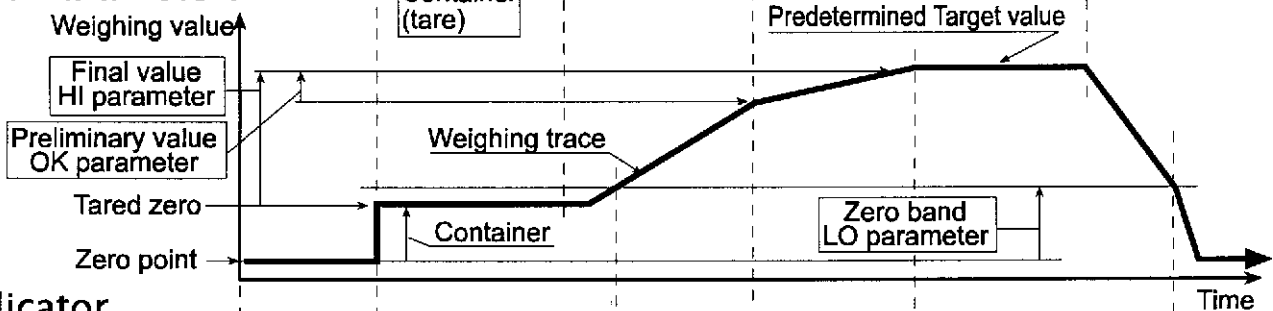
It is necessary to install option OP-03 or OP-04, if you use the relay output of the full/dribble batch function.

In the example of a filling machine with a scale and hopper, the performance and processing of the system are assumed to be as follows:

## Procedure



## Weighing and Parameters



## Indicator and Output

READY indicator	ON	OFF	OFF	Blinking	ON
Zero band, LO indicator	ON	OFF	OFF	OFF	ON
LO relay	Make	Break	Break	Break	Make
Full flow, OK indicator	OFF	ON	OFF	OFF	OFF
OK relay	Break	Make	Break	Break	Break
Dribble flow, HI indicator	OFF	ON	ON	OFF	OFF
HI relay	Break	Make	Make	Break	Break

	Zero Band indicator/ LO relay output	Preliminary value indicator/ OK relay output	Final value indicator/ HI relay output
Gross < Zero band (Zero detection level)	ON/Make	OFF/Break	OFF/Break
Net < Final - Preliminary	OFF/Break	ON/Make	ON/Make
Final - Preliminary ≤ Net < Final	OFF/Break	OFF/Break	ON/Make
Final ≤ Net	OFF/Break	OFF/Break	OFF/Break

## Caution

The comparison of the full/dribble batch function is not reversible (One way sequence). If the display value becomes less than the final value after the value reached a predetermined target value, neither HI or LO is on.

The parameters of the upper limit value (HI) and the final value (HI) use the same memory. The parameters of the lower limit value (LO) and the zero band (LO) use the same memory.

The upper/lower comparator function, the simple batch function and the full/dribble batch function cannot be used at the same time because these parameters use common memory.

Set the zero band greater than the tare value.

## Operation

Pressing the **[SET]** switch, the scale starts the batch process.

Selecting a parameter from  $F 10 0$  or  $F 10 2$  of the full/dribble batch sub-function, the **[F]** switch works as the finish switch.

## Parameter List and Word Definition

The “gross” is a total weighing value, no tare value is subtracted.

The “net” is a measurement value with the tare value subtracted from the gross.

The “zero band” means the zero detection level.

The “zero point” is the fundamental starting point to weighing.

## Comparator

Function table	Meaning and purpose
$F 6 9$	Full/Dribble batch function

## Full/Dribble batch sub-function

Function table	Meaning and purpose
$F 10 0$	Reaching final value and pressing the <b>[F]</b> switch the current process is finished.
$F 10 1$	Reaching the final value and displaying the stability mark the current process is finished automatically.
$F 10 2$	Pressing the <b>[SET]</b> switch the scale automatically tares and starts the full/dribble batch process. Reaching final value and pressing the <b>[F]</b> switch, the current process is finished.
$F 10 3$	Pressing the <b>[SET]</b> switch the scale automatically tares and starts the full/dribble batch process. Reaching the final value and displaying the stability mark the current process is finished.

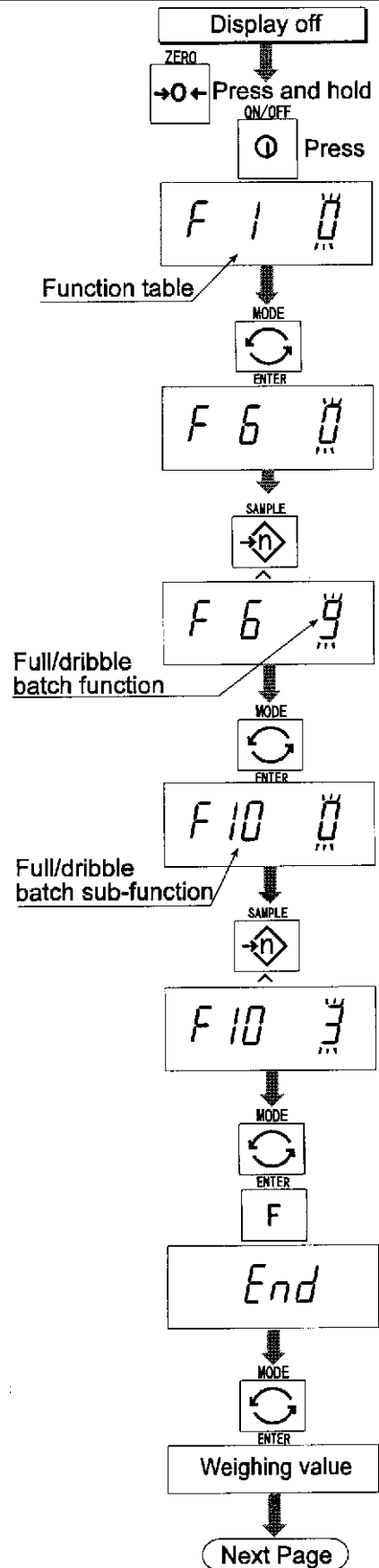
## Hold

Function table	Meaning and purpose
$F 12 0$	The hold function is not used

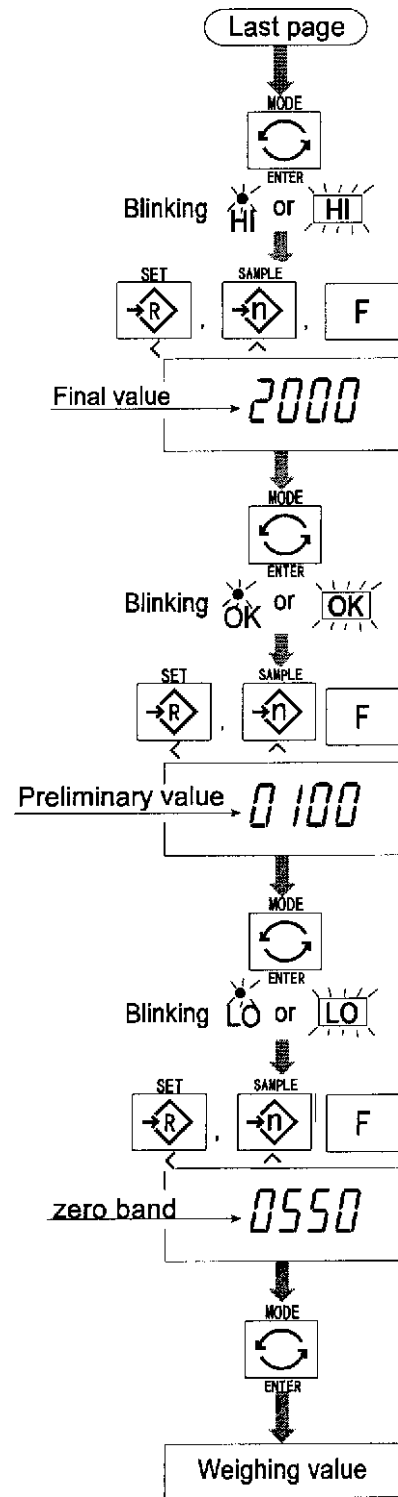


## 12.1 Preparation (Setting Parameters)

- Step 1 Turn off the display.  
Press the **[ON/OFF]** switch while the **[ZERO]** switch is pressed and held. The function table is displayed.
- Step 2 Press the **[ENTER]** switch to display an item of the comparator function ( **F 1 0** ).
- Step 3 Select a parameter of the full/dribble batch function ( **F 6 9** ) with the **[Δ]** switch.
- Step 4 Press the **[ENTER]** switch to store the new parameter and display an item of the full/dribble batch sub-function ( **F 10 0** ).
- Step 5 Select a parameter of the full/dribble batch sub-function ( **F 10 0 ~ F 10 3** ) with the **[Δ]** switch.
- Step 6 Press the **[ENTER]** switch to store the new parameter
- Step 7 Press the **[F]** switch and the **[ENTER]** switch to exit from the function table. Then the scale displays the weighing mode.



- Step 8 Press the **MODE** switch to display the HI, flashing, (of the final value).
- Step 9 Set the final value using the following switches:-  
**▲** switch Selecting the value of a digit.  
**◀** switch Selecting a digit.
- Step 10 Press the **ENTER** switch to store the new parameter and display the blinking OK (of preliminary value).
- Step 11 Set the preliminary value using the following switches.  
**▲** switch Selecting the value of a digit.  
**◀** switch Selecting a digit.
- Step 12 Press the **ENTER** switch to store the new parameter and display the blinking LO (of zero band).
- Step 13 Set a zero band which is greater than the tare value, using the following switches.  
**▲** switch Selecting the value of a digit.  
**◀** switch Selecting a digit.
- Step 14 Press the **ENTER** switch to store the new parameter and display the weighing mode.





# 13 Simple Batch Function

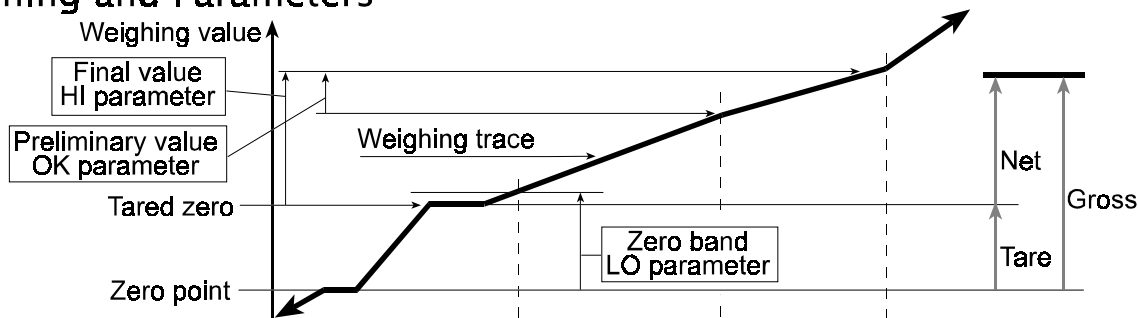
This function compares a display value with the final value, preliminary value and zero band for the full/dribble batch function. The result is indicated to zero band (LO indicator), full flow (HI indicator) and dribble flow (OK indicator). Even if a weighing value increases and decreases this function continues to compare.

It is necessary to set the parameters of the “simple batch function (  $FG\ B$  )” in the function table, final value (HI), preliminary value (OK) and zero band (LO) in advance to use this function.

It is necessary to install option OP-03 or OP-04, to use the relay output of the comparator.

It is necessary to install option OP-03, to use the buzzer output of the comparator.

## Weighing and Parameters



## Indicator and Output

Zero band, LO indicator	ON	OFF	OFF	OFF
LO relay output	Make	Break	Break	Break
Preliminary, OK indicator	OFF	OFF	ON	ON
OK relay output	Break	Break	Make	Make
Final, HI indicator	OFF	OFF	OFF	ON
HI relay output	Break	Break	Break	Make

## Comparison Condition

Gross	<	Zero band LO is displayed and output.
Final - Preliminary	≤	Net OK is displayed and output.
Final	≤	Net OK, HI is displayed and output.

## Parameter List and Word Definition

The “gross” is a total measurement value, no tare value is subtracted.

The “net” is a measurement value with a tare value subtracted from the gross.

The “tare” is an item put on the pan and its mass is subtracted from the gross.

The “zero band” means the zero detection level.

The “zero point” is the fundamental starting point to weighing.

Function Table	Meaning and purpose
$FG\ B$	Simple batch function

### Caution

The parameters of the upper limit value (HI) and a final value (HI) use the same memory. The parameters of the lower limit value (LO) and the zero band (LO) use the same memory.

The upper/lower comparator function, the simple batch function and the full/dribble batch function cannot be used at the same time because these parameters use common memory.

## 13.1 Preparation (Setting Parameters)

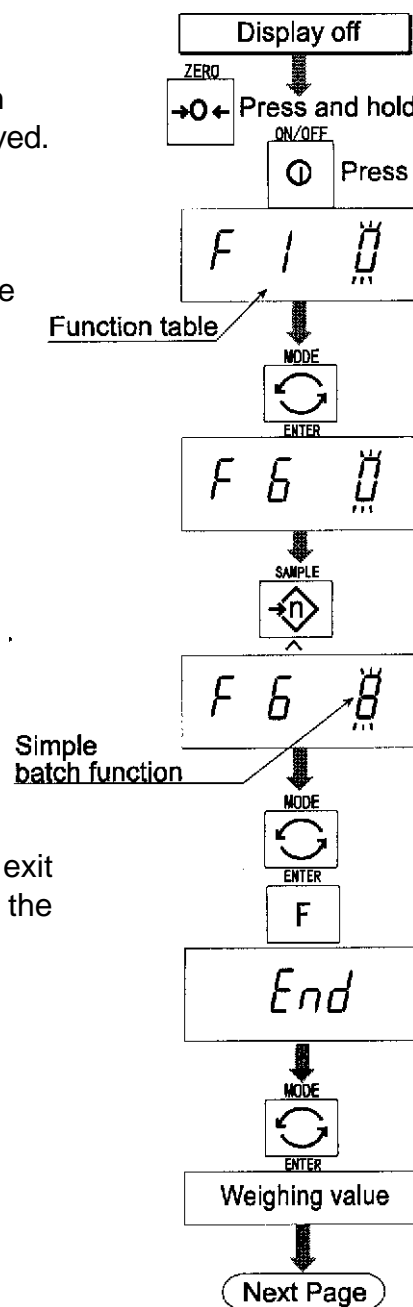
Step 1 Turn off the display.  
Press the **ON/OFF** switch while the **ZERO** switch is pressed and held. The function table is displayed.

Step 2 Press the **ENTER** switch to display an item of the comparator function ( **F5** ).

Step 3 Select a parameter of the simple batch function ( **F6 B** ) with the **▲** switch.

Step 4 Press the **ENTER** switch to store the new parameter.

Step 5 Press the **F** switch and the **ENTER** switch to exit from the function table. Then the scale displays the weighing mode.



Step 6 Press the **MODE** switch to display the HI, blinking. (Final value).

Step 7 Set the final value using the following switches.

- switch Selecting the value of a digit.
- switch Selecting a digit.

Step 8 Press the **ENTER** switch to store the new parameter and display the OK, blinking, (Preliminary value).

Step 9 Set the preliminary value using the following switches.

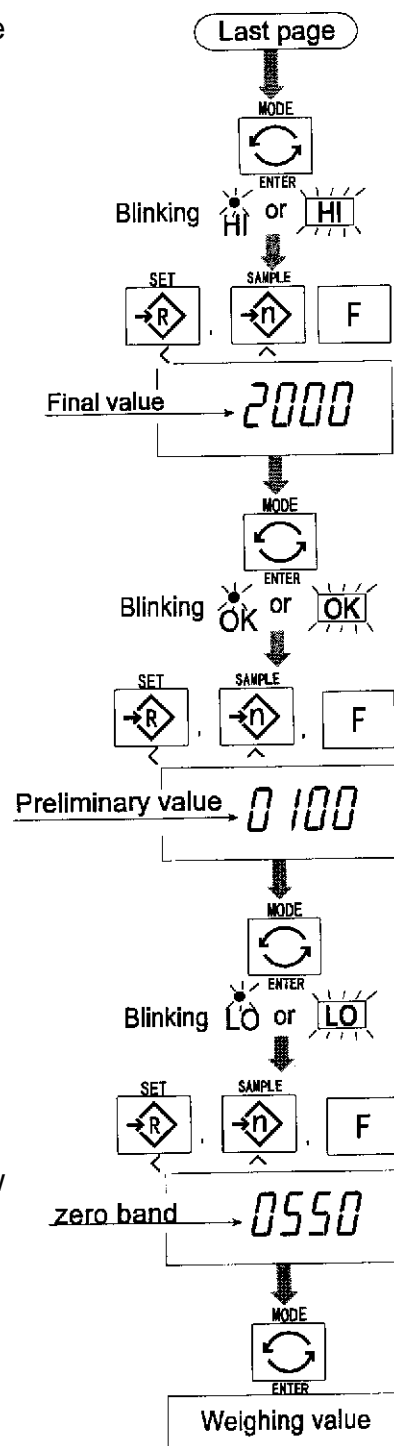
- switch Selecting the value of a digit.
- switch Selecting a digit.

Step 10 Press the **ENTER** switch to store the new parameter and display the LO, blinking, (Zero band).

Step 11 Set the zero band using the following switches.

- switch Selecting the value of a digit
- switch Selecting a digit.

Step 12 Press the **ENTER** switch to store the new parameter and display the weighing mode.



## 13.2 Operation and Performance (Examples)

- Step 1 Select the parameter *FB B* of the function table.
- Step 2 Set the parameters of the final value, preliminary value and zero band.
- Step 3 The comparison result is always displayed.



## 14 Calibration (Adjusting the Scale)

Calibration is the adjustment function so that the scale can weigh correctly.

There are three steps to calibration.

**Gravity Acceleration Correction** ....When a calibrated scale is moved to a distant place, the scale can correctly weigh by adjusting to a new local gravity acceleration.

Refer to the “gravity acceleration table” on the next page.

**Calibration of the Zero Point** ..... When there is nothing on the pan, it is the function that performs adjustment so as to display the zero point mark .

**Comment** The zero point, is the fundamental starting point to weighing, and influences the performance of the scale.

**Span Calibration** ..... The function that adjusts the span with a calibrated mass so that the scale can accurately weigh anything within the weighing capacity.

**Comment** Span means the range of weighing capacity. Use a calibration mass at least two thirds of the weighing capacity.

### **Caution**

**It is necessary to calibrate the HW-G series using a mass of OIML class M1 or equivalent.**

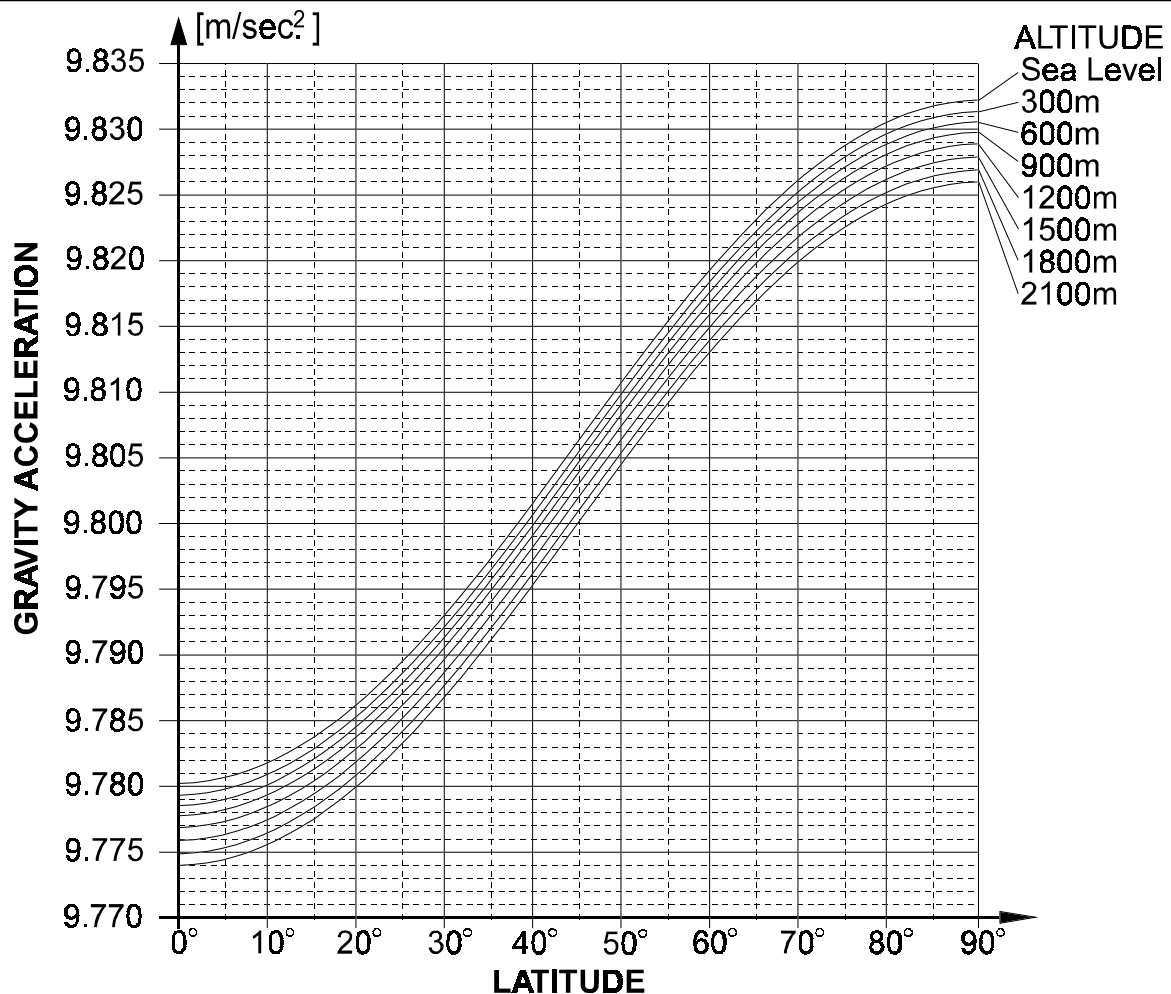
**Periodically check the accuracy of weighing. Calibrate the scale if it is moved to another location or the environment has changed.**

**It is not necessary to correct for the gravity acceleration when calibrating your scale, with the calibration mass, at the place where your scale is used.**



# 14.1 The Gravity Acceleration Table

Amsterdam	9.813	m/s <sup>2</sup>	Manila	9.784 m/s <sup>2</sup>
Athens	9.800	m/s <sup>2</sup>	Melbourne	9.800 m/s <sup>2</sup>
Auckland NZ	9.799	m/s <sup>2</sup>	Mexico	9.779 m/s <sup>2</sup>
Bangkok	9.783	m/s <sup>2</sup>	Milan	9.806 m/s <sup>2</sup>
Birmingham	9.813	m/s <sup>2</sup>	New York	9.802 m/s <sup>2</sup>
Brussels	9.811	m/s <sup>2</sup>	Oslo	9.819 m/s <sup>2</sup>
Buenos Aires	9.797	m/s <sup>2</sup>	Ottawa	9.806 m/s <sup>2</sup>
Calcutta	9.788	m/s <sup>2</sup>	Paris	9.809 m/s <sup>2</sup>
Chicago	9.803	m/s <sup>2</sup>	Rio de Janeiro	9.788 m/s <sup>2</sup>
Copenhagen	9.815	m/s <sup>2</sup>	Rome	9.803 m/s <sup>2</sup>
Cyprus	9.797	m/s <sup>2</sup>	San Francisco	9.800 m/s <sup>2</sup>
Djakarta	9.781	m/s <sup>2</sup>	Singapore	9.781 m/s <sup>2</sup>
Frankfurt	9.810	m/s <sup>2</sup>	Stockholm	9.818 m/s <sup>2</sup>
Glasgow	9.816	m/s <sup>2</sup>	Sydney	9.797 m/s <sup>2</sup>
Havana	9.788	m/s <sup>2</sup>	Taiwan	9.788 m/s <sup>2</sup>
Helsinki	9.819	m/s <sup>2</sup>	Taipei	9.790 m/s <sup>2</sup>
Kuwait	9.793	m/s <sup>2</sup>	Tokyo	9.798 m/s <sup>2</sup>
Lisbon	9.801	m/s <sup>2</sup>	Vancouver, BC	9.809 m/s <sup>2</sup>
London (Greenwich)	9.812	m/s <sup>2</sup>	Washington DC	9.801 m/s <sup>2</sup>
Los Angeles	9.796	m/s <sup>2</sup>	Wellington NZ	9.803 m/s <sup>2</sup>
Madrid	9.800	m/s <sup>2</sup>	Zurich	9.807 m/s <sup>2</sup>

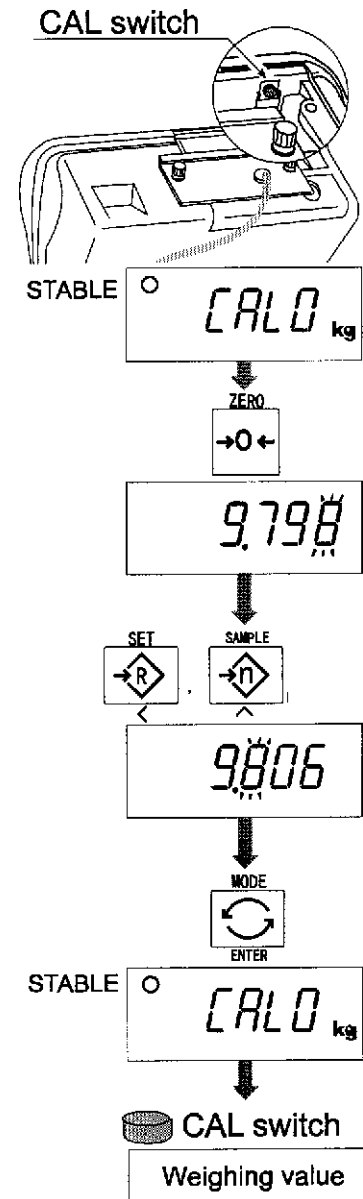




## 14.2 The Complete Calibration Procedure

### 14.2.1 Gravity Acceleration Correction

- Step1 Turn on the display.  
Open the rear cover of the display unit.  
Inside the display unit, press and hold the **CAL** switch to enter the calibration mode.  
Then **CAL 0** is displayed.
- Step2 Press the **ZERO** switch to enter the gravity acceleration correction mode.
- Step3 Set your local gravity acceleration using the following switches.  
**▲** switch Selecting the value of a digit.  
**◀** switch Selecting a digit.
- Step4 Press the **ENTER** switch to store the new value.
- Step5 Press the **CAL** switch again. Then the scale returns to the normal weighing mode.

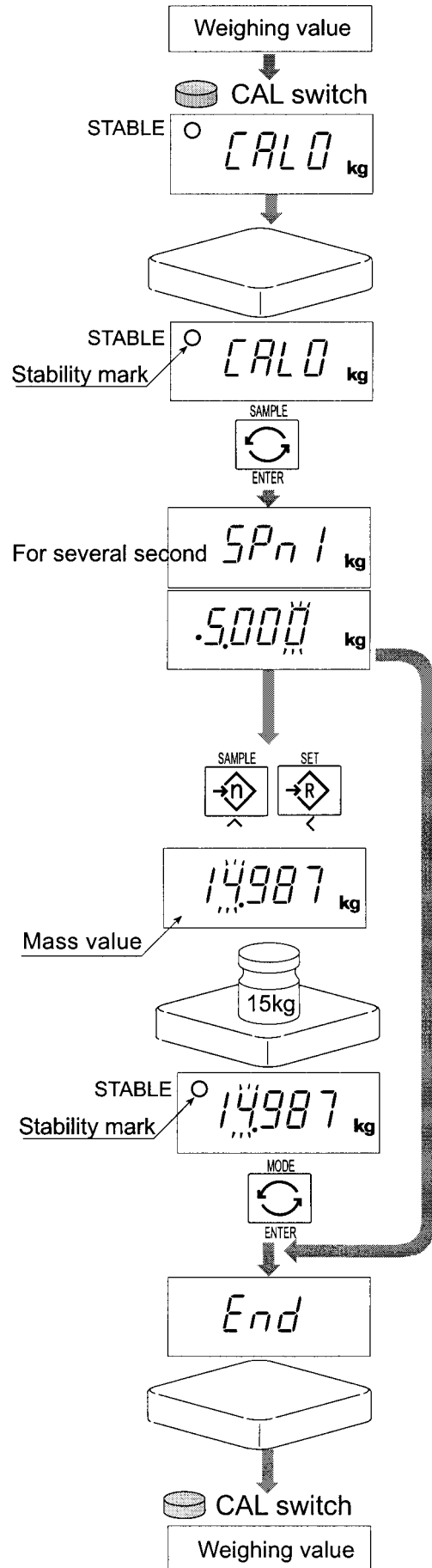


### 14.2.2 Preparation

- Step 6 Confirm the environmental conditions as follows:  
Maintain a constant temperature and a stable power supply.  
Install the scale on a solid floor or bench where there is no draft, vibration, strong magnetic fields or direct sunlight.  
Consider section "4. Caution".
- Step 7 Display normal weighing for at least 30 minutes to warm up the scale.

### 14.2.3 Calibration of the Zero Point

- Step 8 Press and hold the **CAL** switch to enter the calibration mode after displaying normal weighing for 30 minutes. Then the **CAL 0** is displayed.
- Step 9 With nothing on the pan, press the **ENTER** switch while the stable mark is displayed. The scale stores the current condition as the zero point. .
- Step 10 The scale displays **SPn 1** for several seconds. If finishing the calibration mode at this stage (Zero calibration only), press **CAL** to proceed to step 13.



### 14.2.4 Span Calibration

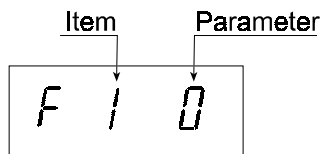
- Step 11 Set the value of the calibration mass using the following switches. (The initial value depends upon the particular model.)
- ^** switch Selecting the value of a digit.
  - <** switch Selecting a digit.
- Step 12 Place the mass' selected at step 11' onto the pan. When the stable mark is displayed press the **ENTER** switch. The scale then calculates the span and stores the value.
- Step 13 The scale displays **End** at the finish. Remove the mass from the pan.
- Step 14 Press the **CAL** switch to return to the normal weighing mode.



# 15 The Function Table

The function table is provided to store and reference items that determine the performance of the scale. Each item has a parameter.

The parameters are maintained even without power applied.



## 15.1 The Procedure for Setting Parameters

**Step 1** Turn off the display.  
Press the **ON/OFF** switch while the **ZERO** switch is pressed and held. The function table is displayed.

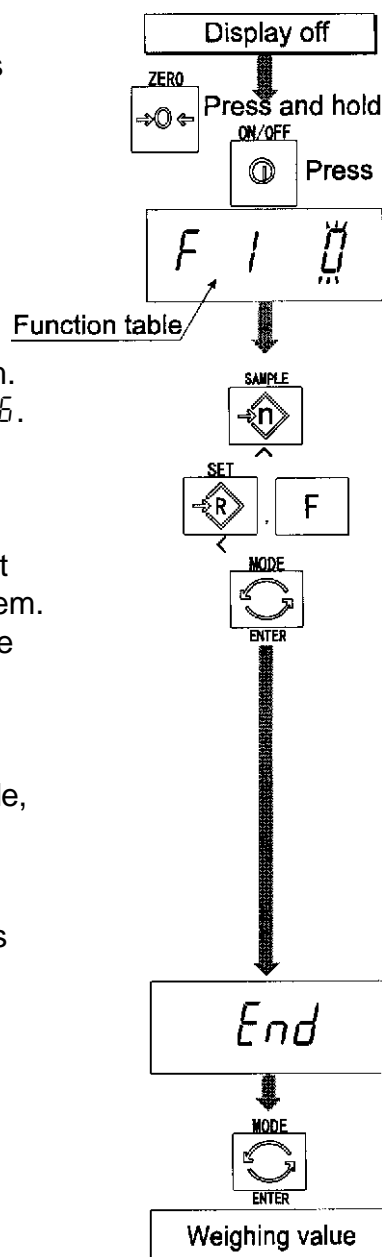
**Step 2** Set parameters for each item using the following switches.

- ▲** switch      Selecting the parameter of an item.
- ◀** switch      Selecting the value of a digit at **F 1 0**.
- F** switch      Proceeding to the end of the table without storing the parameter.
- ENTER** switch      Storing a parameter for the current item and proceeding to the next item. Returning to normal mode from the end of the table.

**Step 3** Press the **ENTER** switch to return to the normal mode, when **End** is displayed.

**Note** Pressing the **ENTER** switch on step 2, the parameter is stored in the scale.

**Note** Pressing the **F** switch at any time will cause **End** to be displayed. The press **ENTER** to return to the normal mode.



## 15.2 Parameter List

Item	Display	Meaning and purpose
<i>The type L scale is turned off after 5 minutes of no operation, when displaying zero.</i>		
Automatic turning off	F10 #	Not used
	F11	Used
<i>Transmission rate of the serial interface (RS-232C/ 422/485).</i>		
Baud rate	F40 #	2400bps
	F41	4800bps
	F42	9600bps
<i>Mode selection for the serial interface (RS-232C/ 422/485).</i>		
Output mode	F50 #	Stream mode. (Refer to “16.2 Stream Mode”)
	F51	Command mode. (Refer to “16.3 Command Mode”)
	F52	A data is output, when the <b>PRINT</b> switch is pressed.
	F53	Auto-print + When the display becomes a positive stable value above near-zero, the scale outputs the data automatically. Next output can be performed after the display becomes near-zero or a negative value.
	F54	Auto-print +/- When the display becomes a stable value outside near-zero, the scale outputs the data automatically. Next output can be performed after the display becomes near-zero.
	F55	At each finish of full/dribble batch function, the data is output.
<i>Mode selection for the comparator</i>		
Comparator	F60 #	Pressing the <b>SET</b> switch, the scale always compares the current display value.
	F61	The scale always compares the display value.
	F62	Pressing the <b>SET</b> switch, the scale always compares the display value when not near-zero.
	F63	The scale always compares the display value when not near-zero.

### Notes

The “#” shows factory settings.

The “near-zero” is within  $\pm 4$  digits from zero point in the unit of kg.

Item	Display	Meaning and purpose
Comparator	F6 4	When the display value becomes stable after pressing the <b>SET</b> switch, the scale compares the display value. It does not compare on an unstable condition. If the <b>SET</b> switch is pressed again, the scale stops the comparison.
	F6 5	When the display value becomes stable, the scale compares the display value. It does not compare on an unstable condition.
	F6 6	When the display value becomes stable and not near-zero after pressing the <b>SET</b> switch, the scale compares the display value. It does not compare on an unstable condition. If the <b>SET</b> switch is pressed again, the scale stops the comparison.
	F6 7	When the display value becomes stable when not near-zero, the scale compares the value.
	F6 8	Simple batch function. (Refer to section 13.)
	F6 9	Full/dribble batch function. (Refer to section 12.)
Buzzer	<i>The condition of the buzzer on option OP-03 by comparator function or full/dribble batch function.</i>	
	F7 0 #	No buzzer.
	F7 1	The buzzer sounds at LO.
	F7 2	The buzzer sounds at OK.
	F7 3	The buzzer sounds at LO and OK.
	F7 4	The buzzer sounds at HI.
	F7 5	The buzzer sounds at LO and HI.
	F7 6	The buzzer sounds at OK and HI.
	F7 7	The buzzer sounds at LO, OK and HI.
	F7 8	The buzzer sounds at finishing the full/dribble batch process.
Accumulator	<i>The condition of the accumulator</i>	
	F8 0 #	Accumulator is not used.
	F8 1	The scale accumulates the data, if the <b>F</b> switch is pressed, when the display becomes a positive stable value above near-zero. Next accumulation can be performed after the display becomes near-zero or a negative value.
	F8 2	The scale accumulates the data, if the <b>F</b> switch is pressed, when the display becomes a stable value outside near-zero. Next accumulation can be performed after the display becomes near-zero.
	F8 3	When the display becomes a positive stable value, the scale accumulates the data automatically. Next accumulation can be performed after the display becomes near-zero or a negative value.

Item	Display	Meaning and purpose
Accumulation	F8 4	When the display becomes a stable value, the scale accumulates the data automatically. Next accumulation can occur after the display becomes near-zero. Use: Recording number and mass of articles removed from the pan. (Put articles on the pan. Press <b>[TARE]</b> switch at each removal.)
	F8 5	At each finish of full/dribble batch function, the scale accumulates the data automatically. Use: Packing articles like a powder, it is used for recording the bag number and total mass.
Print Mode	<i>The printing condition when using option OP-06 for type V.</i>	
	F9 0 #	No print.
	F9 1	Pressing the <b>[PRINT]</b> switch, the data is output.
	F9 2	Auto-print + When the display becomes a positive stable value above near-zero, the scale outputs the data automatically. Next output can be performed after the display becomes near-zero or negative value.
	F9 3	Auto-print +/- When the display becomes a stable value outside near-zero, the scale outputs the data automatically. Next output can be performed after the display becomes near-zero.
	F9 4 F9 5	At each finish of full/dribble batch function, the data is output. When the accumulation function is used, the data is output.
Full/Dribble Batch sub-function	<i>The details of the full/dribble batch function (F5 9)</i>	
	F10 0 #	Reaching final value and pressing the <b>[F]</b> switch, the current process is finished.
	F10 1	Reaching final value and displaying the stability mark, the current process is finished automatically.
	F10 2	Pressing the <b>[SET]</b> switch, the scale automatically tares and starts the full/dribble batch process. Reaching final value and pressing the <b>[F]</b> switch, the current process is finished.
	F10 3	Pressing the <b>[SET]</b> switch, the scale automatically tares and starts the full/dribble batch process. Reaching final value and displaying the stability mark, the current process is finished.
Address	<i>Address for RS-422 / RS-485 for option OP-04</i>	
	F11 00 # to F11 99	Use This address can be set from 01 to 99. Allows a computer to control a scale with the assigned address. (RS-232C should be set to "00".)

Item	Display	Meaning and purpose
Hold		<i>The function to hold the current display value. When the value becomes near-zero and the weighing value changes more than 25% +30 digits, hold display is cancelled.</i>
	F 12 0 #	Not used
	F 12 1	The hold function is ON or OFF alternately by the <input type="checkbox"/> switch.
	F 12 2	Displaying the stability mark, the display is held.
Averaging		<i>Selection of readability and response by averaging the weighing value.</i>
	F 13 0 #	Normal weighing.
	F 13 1	Scale for a person's weight.
	F 13 2	Animal weighing.
Precision of unit mass		<i>Selects a storable minimum unit mass in the counting mode.</i>
	F 14 0 #	Stores a unit mass using the unit of a digit.
	F 14 1	Stores a unit mass in the unit of one eighth digit.
	F 14 2	Stores a unit mass, if the total of sample mass is heavier than 5 digits.
Data Format		<i>Refer to "16.1. Data Format".</i>
	F 15 0 #	Format 1. (A&D general format for scales, balances)
	F 15 1	Format 2. (Older HV-A/ HW-A format)
Date		<i>It is necessary to use option OP-06 for type V. Use Print out of date. Caution Date is not updated. Print out of the management number for the scale.</i>
	F 16 000000	No print out.
	other	The relation between printout and display is as follows: Display 990721 Printout 99/07/21



# 16 RS-232C Serial Data Interface

RS-232C interface has the following two modes.

Stream mode Outputs data continuously and can be used for printing data.

Command mode Controls the scale using commands from a computer.

It is necessary to set the parameters of the "Baud rate ( F4 )", "Output mode ( F5 )", "Format ( F15 )" in the function table in advance.

There are option cables as follows:

AX-KO557ARS-232C cable, D-sub 25 pin, 2m

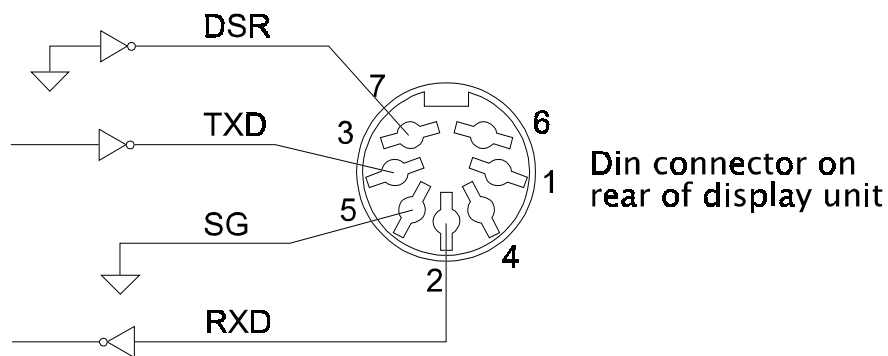
AX-KO1786-200 RS-232C cable, D-sub 9 pin, 2m

Transmission system EIA RS-232C  
 Transmission Asynchronous, bi-directional, half-duplex  
 Data format Baud rate:2400, 4800, 9600 bps  
 Data: 7 bits  
 Parity: 1 bit, Even  
 Start bit 1 bit  
 Stop bit 1 bit  
 Code ASCII  
 Terminator CR LF (CR: 0D[H], LF: 0A[H])

## Pin Connections

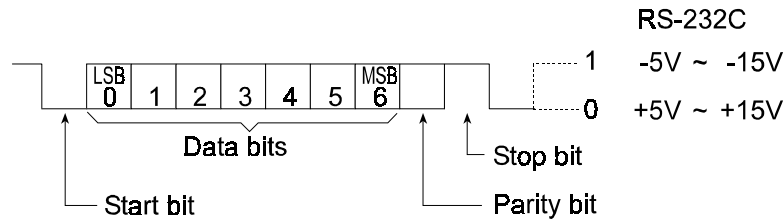
Pin No.	Signal name	Direction	Description
1	-		
2	RXD	Input	Receive data
3	TXD	Output	Transmit data
4	-		
5	SG -		Signal ground
6	-		
7	DSR	Output	Data set ready

## Circuit



# 16.1 Data Format

## Bit Format



## Format 1

There are four headers for the type of data and weighing condition.

Stable weighing data ST      Unstable weighing data US

Stable counting data QT      Out of range (over) OL

The weighing data consists of 9 characters including decimal point and polarity.

The polarity is always output.

There are three units. The unit is 3 characters.

In case of “out of range”, numbers become all 9’s.

The terminator is always output as CR LF.

Data in the unit of kg ST,+00012.40\_kgCRLF

Header      Weighing value      unit      Terminator

Counting mode QT,+00003000\_PCCRLF

Header      Weighing value      unit      Terminator

Percentage mode ST,+000300.0\_\_%CRLF

Header      Weighing value      unit      Terminator

Out of range OL,+99999.99\_kgCRLF

Header      Polarity

## Definition of symbols

CR (carriage return) CR      LF (line feed) LF  
0D[H]      0A[H]

Space \_  
20[H]

## Format 2

There are four headers for the type of data and weighing condition.

Stable weighing data ST      Unstable weighing data US

Stable counting data QT      Out of range (over) OL

The weighing data consists of 7 characters including decimal point and polarity.

The data consists of 7 characters in the counting mode.

The polarity is always output.

There are three units. The unit is 2 characters.

In case of “out of range”, numbers become all 9’s.

The terminator is always output as CR LF.

### **Caution**

When the data is longer than 7 characters in the counting or percentage mode, the overflow is ignored.

Data in the unit of kg      ST, + 002. 40 kg CR LF  
Header    Weighing value    unit    Terminator

Counting mode      QT, + 003000 PC CR LF  
Header    Weighing value    unit    Terminator

Percentage mode      ST, + 0300. 0 % CR LF  
Header    Weighing value    unit    Terminator

Out of range      OL, + 999. 99 kg CR LF  
Header    ↑ Polarity

Definition of symbols

CR (carriage return) CR

LF (line feed) LF

0D[H]

0A[H]

Space

20[H]

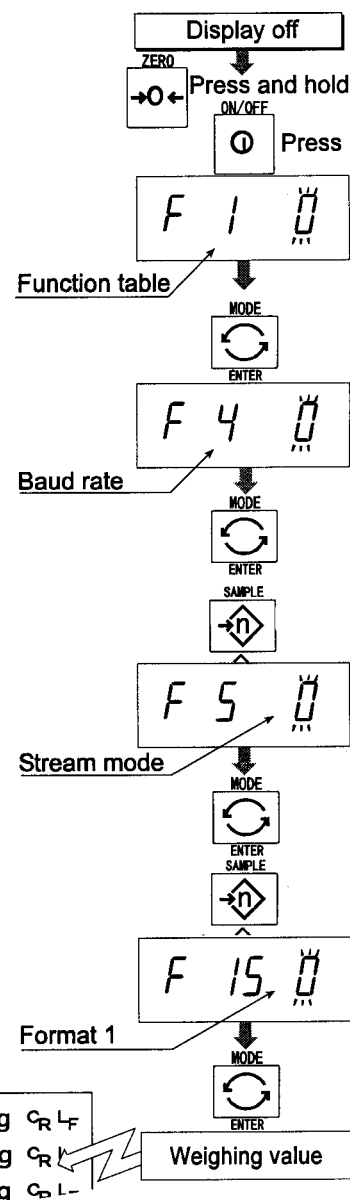
## 16.2 Stream Mode

The scale outputs the current display data at the same time as refreshing the display. The scale does not output data while in the setting mode.

Averaging function table	Refresh rate
F 13 0 Normal weighing	Approximately 7 times/s while the display is unstable. Approximately 4 times/s when the display is stable
F 13 1 A person's weight	Approximately 4 times/s
F 13 1 Animal weighing	Approximately 4 times/s

### 16.2.1 Preparation and Performance (Examples)

- Step 1 Turn off the display.  
Press the **ON/OFF** switch while the **ZERO** switch is pressed and held. The function table is displayed.
- Step 2 Select a parameter for the "baud rate ( F 4 )" using the **ENTER** and **▲** switches.
- Step 3 Select "stream mode ( F 5 0 )" of "output" using the **ENTER** and **▲** switches.
- Step 4 Select "format 1 ( F 15 0 )" of "format" using the **ENTER** and **▲** switches.
- Step 5 Press the **ENTER** switch to store the new parameters. The scale returns to normal weighing and outputs the data continuously.





## 16.3 Command Mode

The command mode is the function which can perform “output data”, “controlling the scale” and “setting parameters” by a command transmitted from a computer.

**Caution** Allow at least 500 milliseconds between commands.

### 16.3.1 Command List

The following explanation uses “format 1 ( F 15 0 )”

Data output

*The current weighing data is output.*

Template Q

Command 

Q	C <sub>R</sub>	L <sub>F</sub>
---	----------------	----------------

Reply 

S	T	,	+	0	0	0	1	2	.	4	0	_	k	g	C <sub>R</sub>	L <sub>F</sub>
---	---	---	---	---	---	---	---	---	---	---	---	---	---	---	----------------	----------------

Selection of mode and unit

*Selects the mode and unit. This is the same as the 

MODE
------

 switch.*

Template U

Command 

U	C <sub>R</sub>	L <sub>F</sub>
---	----------------	----------------

Response The scale changes mode and unit.

Zero

*The current mass value is set to the zero point.*

This is same as the ZERO switch.

Template Z

Command 

Z	C <sub>R</sub>	L <sub>F</sub>
---	----------------	----------------

Response The mass value becomes zero and zero point mark is displayed.

Tare

*The current mass value is set to zero after placing a tare (container, receptacle, case, etc) and the net is displayed. This is the same as the 

TARE
------

 switch.*

Template T

Command 

T	C <sub>R</sub>	L <sub>F</sub>
---	----------------	----------------

Response The current mass value becomes zero and net mark is displayed.

Cancel of tare

*The display value becomes the gross and the net mark is turned off. (The tare value becomes zero.)*

Template CT

Command 

C	T	C <sub>R</sub>	L <sub>F</sub>
---	---	----------------	----------------

Response Gross is displayed and the net mark is turned off.

## Preset tare

*Tare value is set and the net is displayed. The net mark is displayed.*

Template PT, [parameter]  
Command 

P	T	,	+	0	0	1	2	0	C <sub>R</sub>	L <sub>F</sub>
---	---	---	---	---	---	---	---	---	----------------	----------------

  
Response Net is displayed.

## Upper limit value

*An upper limit value is stored.*

Template HI, [parameter]  
Command 

H	I	,	+	0	1	2	0	0	C <sub>R</sub>	L <sub>F</sub>
---	---	---	---	---	---	---	---	---	----------------	----------------

  
Response The upper limit value is stored.

## Lower limit value

*A lower limit value is stored.*

Template LO, [parameter]  
Command 

L	O	,	-	0	0	4	0	0	C <sub>R</sub>	L <sub>F</sub>
---	---	---	---	---	---	---	---	---	----------------	----------------

  
Response The lower limit value is stored.

**Caution** The lower limit value must be less than the upper limit value.

## Accumulation data output

*Accumulated data is output.*

Template A  
Command 

A	C <sub>R</sub>	L <sub>F</sub>
---	----------------	----------------

  
Reply 

A	,	+	0	2	3	1	2	.	4	0	_	k	g	C <sub>R</sub>	L <sub>F</sub>
---	---	---	---	---	---	---	---	---	---	---	---	---	---	----------------	----------------

## Accumulation count output

*Number of accumulations is output.*

Template N  
Command 

N	C <sub>R</sub>	L <sub>F</sub>
---	----------------	----------------

  
Reply 

N	,	+	0	0	0	0	0	1	4	0	_	_	_	C <sub>R</sub>	L <sub>F</sub>
---	---	---	---	---	---	---	---	---	---	---	---	---	---	----------------	----------------

## Reset of Accumulation data and number

*Data and number of accumulations become zero*

Template CA  
Command 

C	A	C <sub>R</sub>	L <sub>F</sub>
---	---	----------------	----------------

  
Response Data and number of accumulations become zero.

## Final value

*The final value is stored.*

Template S0, [parameter]  
Command S 0 , + 0 2 0 0 0 C<sub>R</sub> L<sub>F</sub>  
Response The value is stored.

## Preliminary value

*The preliminary value is stored.*

Template S1, [parameter]  
Command S 1 , + 0 0 2 0 0 C<sub>R</sub> L<sub>F</sub>  
Response The value is stored.

## Zero band

*The zero band is stored.*

Template S2, [parameter]  
Command S 2 , + 0 0 5 0 0 C<sub>R</sub> L<sub>F</sub>  
Response The value is stored.

## 16.4 Preparation (Setting Parameters)

- Step 1 Turn off the display.  
Press the **[ON/OFF]** switch while the **[ZERO]** switch is pressed and held. The function table is displayed.

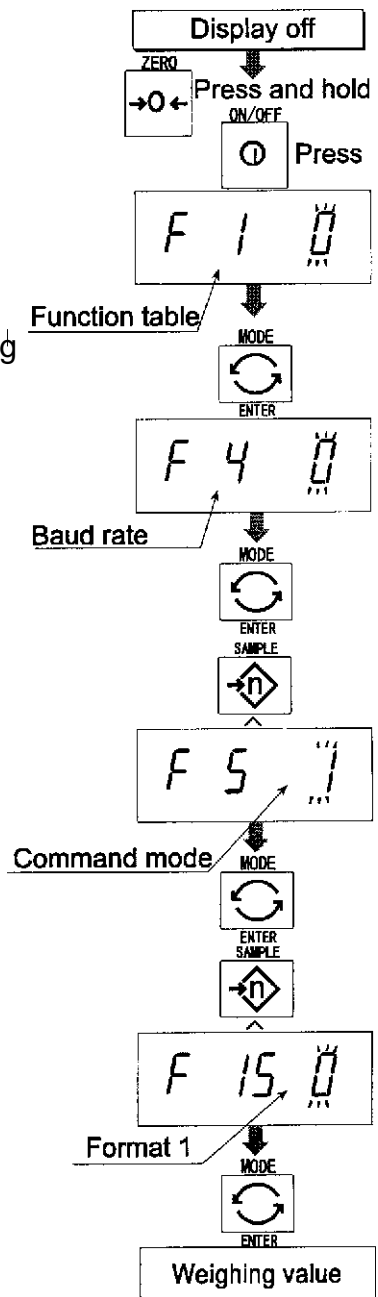
- Step 2 Select a parameter of the “baud rate ( F4 )” using the **[ENTER]** and **[^]** switches.

- Step 3 Select “command mode ( F5 1 )” of the “output” using the **[ENTER]** and **[^]** switches.

- Step 4 Select “format 1 ( F15 0 )” of the “format” using the **[ENTER]** and **[^]** switches.

- Step 5 Press the **[ENTER]** switch to store the new parameters.  
Return to the normal weighing mode using the **[ENTER]** switch.

- Step 6 Receiving a command, the scale responds.





# 17 Options



## 17.1 RS-232C / Relay output / Buzzer (OP-03)

Replacing RS-232C interface with this option, refer to “RS-232C Serial Interface” for its specification.

The following option cables can be used, when you do not use the relay output.

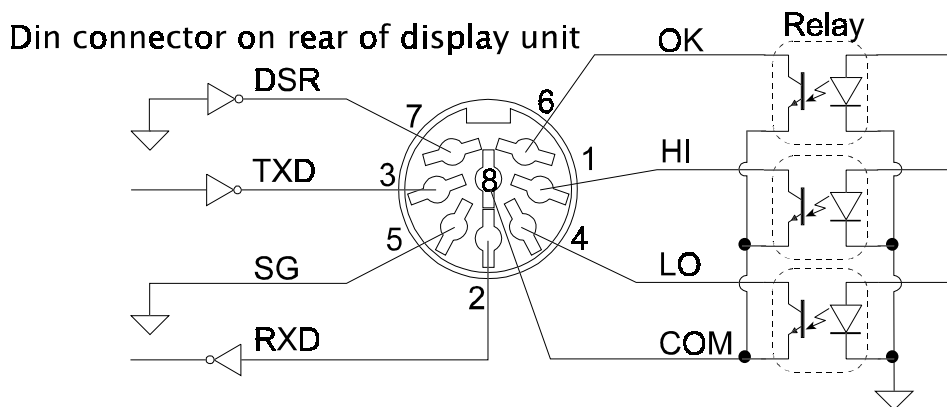
AX-KO557A, AX-KO1786-200

### Pin connections

Pin No.	Signal name	Direction	Description
1	HI	Output	Relay output of HI
2	RXD	Input	Receive data
3	TXD	Output	Transmit data
4	LO	Output	Relay output of LO
5	SG	-	Signal ground (RS-232C)
6	OK	Output	Relay output of OK
7	DSR	Output	Data set ready
8	COM	-	Relay common terminal

Mating connector DIN 8pin, JA:TCS0586 (of accessory pack)

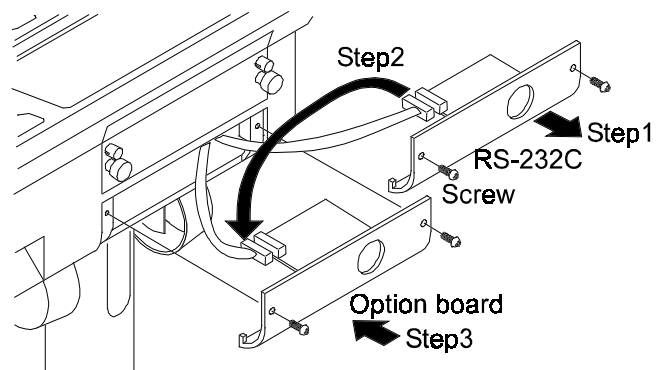
### Circuit



Relay	Solid-state-relay	Maximum voltage	DC50V
		Maximum current	DC100mA
		Maximum ON resistance	8 Ω

### Installing OP-03

- Step 1 Remove two screws that attach the RS232C board on the rear of the display unit. Remove the RS232C board.
- Step 2 Switch the connections.
- Step 3 Insert the option board into the display unit and afix with screws





## 17.2 RS-422 / RS-485 / Relay output (OP-04)

Replacing RS-232C interface with this option, the RS-422/ RS-485 interface can connect up to 16 scales and control them from a computer.

The RS-422/ RS-485 interface has the following two modes.

- Stream mode            Outputs data countinuously.
- Command mode        Controls the scale using commands from a computer.

It is necessary to set the parameters of the “Baud rate ( F4 )”, “Output mode ( F5 )”, “Format ( F15 )” in the function table in advance.

Transmission system EIA RS-422/ RS-485

Transmission    Asynchronous, bi-directional, half-duplex

Data format    Baud rate: 2400, 4800, 9600 bps

                  Data:        7 bits

                  Parity:      1 bit, Even

                  Start bit    1 bit

                  Stop bit    1 bit

                  Code        ASCII

                  Terminator    CR LF (CR: 0D[H], LF: 0A[H])

Address    01 ~ 99    Address parameter ( F10 ) of function table.

Relay        Solid-state-relay

                  Maximum voltage    DC50V

                  Maximum current    DC100mA

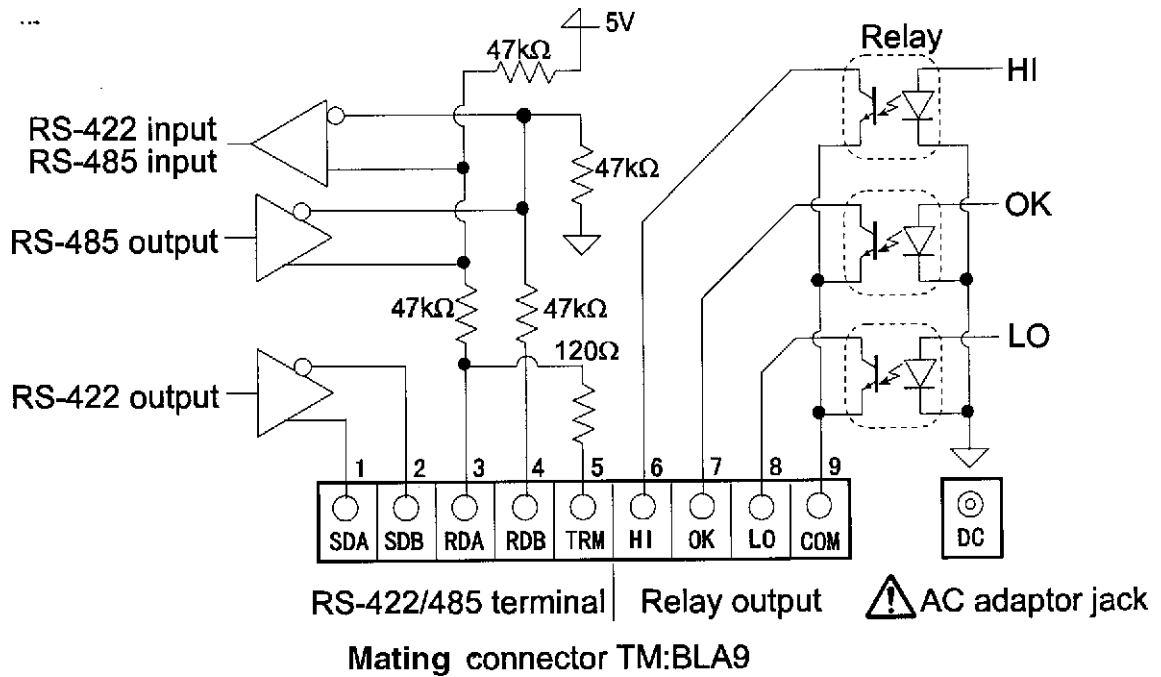
                  Maximum resistance 8 Ω

Mating connector    TM:BLA9 (of accessory pack)

Pin connections

Pin No.	Signal name	Direction	Description
1	SDA	Output	RS-422 transmission A terminal
2	SDB	Output	RS-422 transmission B terminal
3	RDA	Input Input / Output	RS-422 receive A terminal RS-485 transmission/ receive A terminal
4	RDB	Input Input / Output	RS-422 receive B terminal RS-485 transmission/ receive B terminal
5	TRM -		120Ω terminator
6	HI	Output	Relay output of HI
7	OK	Output	Relay output of OK
8	LO	Output	Relay output of LO
9	COM -		Relay common terminal

## Circuit



## Caution



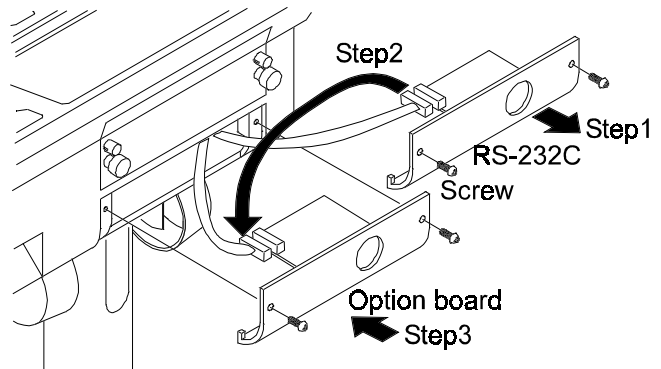
Please confirm that the AC adaptor type is correct for your local voltage and receptacle type.

## Selection switch for the RS-422/ RS-485 interface

Selects either of RS-422 or RS-485 interface using a switch on the board.

## Installing OP-04

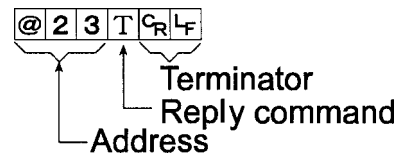
- Step 1 Remove two screws that attach the RS232C board on the rear of the display unit. Remove the RS232C board.
- Step 2 Switch the connections.
- Step 3 Insert the option board into the display unit and afix with the screws



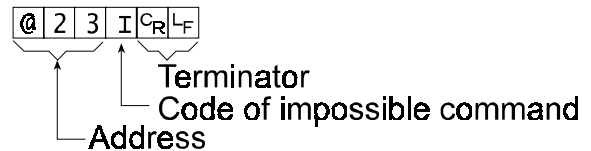
## 17.2.1 Communication Format

Commands consist of an address and the same command as for the RS-232C. Commands return the same command when there is no transmitting data. If address is 23, the reply is as follows:

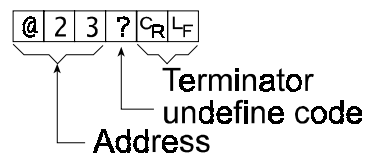
Normal response



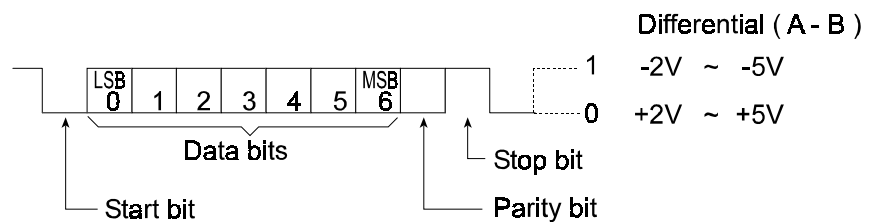
Response of impossible command



Undefined command response



Bit format



## 17.2.2 Command List

The following explanation uses "format 1 ( F 15 0 )" and assumes address is 23

Data output

*The current weighing data is output.*

Template Q

Command @ 2 3 Q C\_R L\_F

Reply @ 2 3 S T , + 0 0 0 1 2 . 4 0 \_ k g C\_R L\_F

Selection of mode and unit

*Selects the mode and unit. This is same as the MODE switch.*

Template U

Command @ 2 3 U C\_R L\_F

Reply @ 2 3 U C\_R L\_F

The scale changes mode and unit

## Zero

The current mass value is set to the zero point, this is same as the **ZERO** switch.

Template Z  
Command @ 2 3 Z C<sub>R</sub> L<sub>F</sub>  
Reply @ 2 3 Z C<sub>R</sub> L<sub>F</sub>

The mass value becomes zero and zero point mark is displayed.

## Tare

The current mass value becomes zero after placing a tare (receptacle, case, etc) and the net is displayed. This is same as the **TARE** switch.

Template T  
Command @ 2 3 T C<sub>R</sub> L<sub>F</sub>  
Reply @ 2 3 T C<sub>R</sub> L<sub>F</sub>

The current mass value becomes zero and net mark is displayed.

## Cancel of tare

The display value becomes the gross and the net mark is turned off. (The tare value becomes zero.)

Template CT  
Command @ 2 3 C T C<sub>R</sub> L<sub>F</sub>  
Reply @ 2 3 C T C<sub>R</sub> L<sub>F</sub>

Gross is displayed and the net mark is turned off.

## Preset tare

The tare value is set and the net is displayed. The net mark is displayed.

Template PT,[parameter]  
Command @ 2 3 P T , + 0 0 1 2 0 C<sub>R</sub> L<sub>F</sub>  
Reply @ 2 3 P T , + 0 0 1 2 0 C<sub>R</sub> L<sub>F</sub>

Net is displayed.

## Upper limit value

An upper limit value is stored.

Template HI,[parameter]  
Command @ 2 3 H I , + 0 3 2 1 0 C<sub>R</sub> L<sub>F</sub>  
Reply @ 2 3 H I , + 0 3 2 1 0 C<sub>R</sub> L<sub>F</sub>

The upper limit value is stored.

## Lower limit value

A lower limit value is stored.

Template LO, [parameter]  
Command @ 2 3 L O , - 0 0 4 0 0 C<sub>R</sub> L<sub>F</sub>  
Reply @ 2 3 L O , - 0 0 4 0 0 C<sub>R</sub> L<sub>F</sub>

The lower limit value is stored.

**Caution The lower limit value must be less than the upper limit value.**

## Accumulation data output

*Accumulated data is output.*

Template A

Command @ 2 3 A C<sub>R</sub> L<sub>F</sub>

Reply @ 2 3 A , + 0 0 0 1 2 . 4 0 \_ k g C<sub>R</sub> L<sub>F</sub>

## Accumulation count output

*Number of accumulations is output.*

Template N

Command @ 2 3 N C<sub>R</sub> L<sub>F</sub>

Reply @ 2 3 N , + 0 0 0 0 0 1 4 0 \_ \_ \_ C<sub>R</sub> L<sub>F</sub>

## Reset of Accumulation data and number

*Data and number of accumulations become zero.*

Template CA

Command @ 2 3 C A C<sub>R</sub> L<sub>F</sub>

Reply @ 2 3 C A C<sub>R</sub> L<sub>F</sub>

Data and number of accumulations become zero.

## Final value

*The final value is stored.*

Template S0, [parameter]

Command @ 2 3 S 0 , + 0 2 0 0 0 C<sub>R</sub> L<sub>F</sub>

Reply @ 2 3 S 0 , + 0 2 0 0 0 C<sub>R</sub> L<sub>F</sub>

The value is stored.

## Preliminary value

*The preliminary value is stored.*

Template S1, [parameter]

Command @ 2 3 S 1 , + 0 0 2 0 0 C<sub>R</sub> L<sub>F</sub>

Reply @ 2 3 S 1 , + 0 0 2 0 0 C<sub>R</sub> L<sub>F</sub>

The value is stored.

## Zero band

*The zero band is stored.*

Template S2, [parameter]

Command @ 2 3 S 2 , + 0 0 0 5 0 C<sub>R</sub> L<sub>F</sub>

Reply @ 2 3 S 2 , + 0 0 0 5 0 C<sub>R</sub> L<sub>F</sub>

The value is stored

## 17.3 Internal Printer for Type V (OP-06)

It is necessary to set the parameter of the "Print mode ( F9 )" in the function table in advance.

It is necessary to set the parameter of the "Date ( F15 )" on the function table in advance.

**Caution** The date Parameter is not updated automatically.

### Specification

Kind 5x7 dot matrix impact type  
Characters 16 characters per line  
Width of roll paper 44.5mm  
Accessories a special roll paper, an ink ribbon

### Consumables

Special roll paper AX-PP156-S (Including 8 rolls in a set)  
Ink ribbon AX-ERC-05-S (Including 5 pieces in a set)

### Operation and Print Samples

Pressing the F switch while pressing and holding the PRINT switch, paper feed is performed.

Print sample of selecting print mode F9 1  
~ F9 4

```
2.345 kg  
2345pc  
76.98%
```

Print sample of selecting print mode F9 5

```
99/12/31  
001 1.345 kg  
002 1.325 kg  
1.330 kg
```

Print sample of displayed accumulation data

```
99/12/31  
N 3  
Total 7.810 kg
```

## Installation of OP-06

### Caution

This option cannot be used with type L (Liquid Crystal Display) scales.

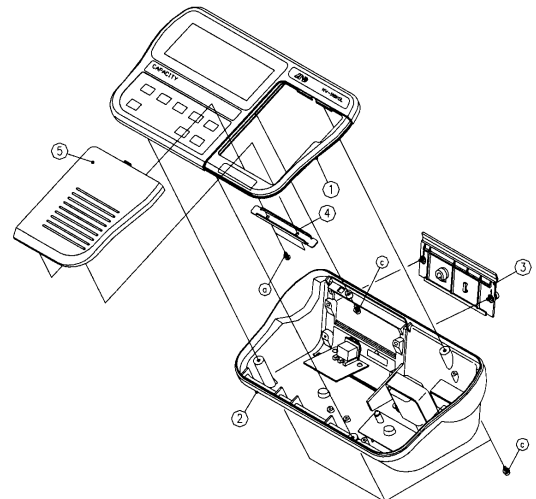
Packed with the option OP-06 are the following items which are used to install the printer into your scale.

Reference No.	Description	Quantity
6	Printer cover	1
7	Printer unit	1
8	Printer control board	1
a	Self tapping screw	3
b	Screw with washer	4
	Paper roll (PP-156)	1
	Spare ink ribbon (ERC-05)	1

### Installation Method

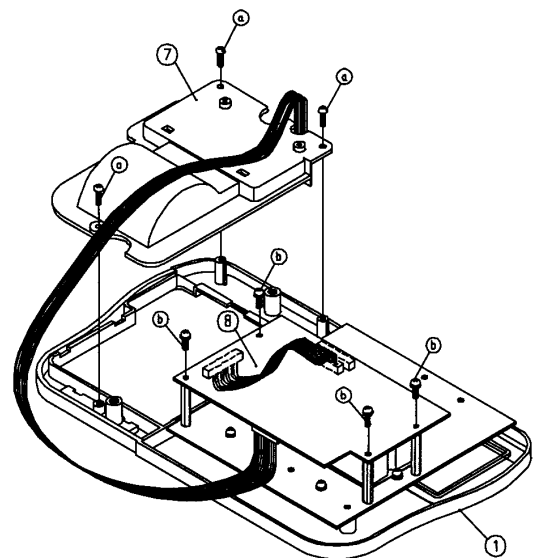
#### 1. Disassembly

- Disconnect the scale power plug from the AC mains supply socket.
- Loosen the lock screws and remove the rear cover unit (Item 3)
- Loosen 4 x screws (Item c) and remove the upper case unit.
- Remove 2 screws (Item a) and remove the Battery Cover.

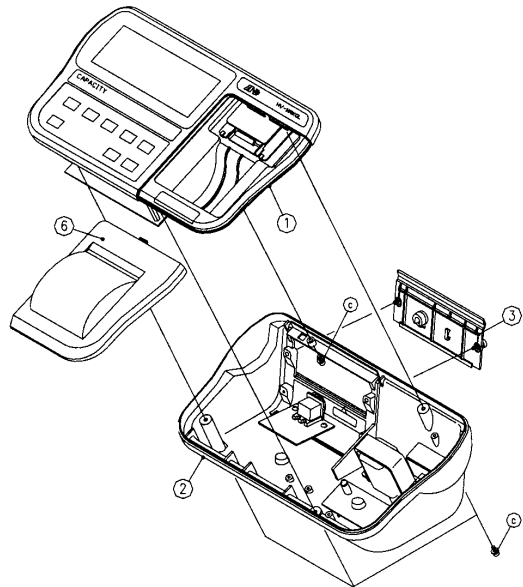


#### 2. Installation

- Connect CN2, of the printer board (Item 8), to J5 on the main board (Item 1)
- Install the printer board (Item 8) to the 4 stand-offs on the board on the upper case (Item 1).
- Secure the printer unit (Item 7) to the upper case (Item 1).
- Connect the printer unit cable to CN4 on the printer board (Item 8).



- (a) Connect the cable between J2 and J3 on the upper case (Item 1).
- (b) Free the 2 pin cable on the lower case (Item 2) and connect it to CN1.
- (c) Screw the upper case (Item 1) to the lower case (Item 2) using the 4 screws (Items c).
- (d) Secure the rear cover (Item 3) to the lower case (Item 2) with the 2 lock screws.
- (e) Secure the printer cover (Item 6 to the upper case (Item 1).



### 3. Performance Check

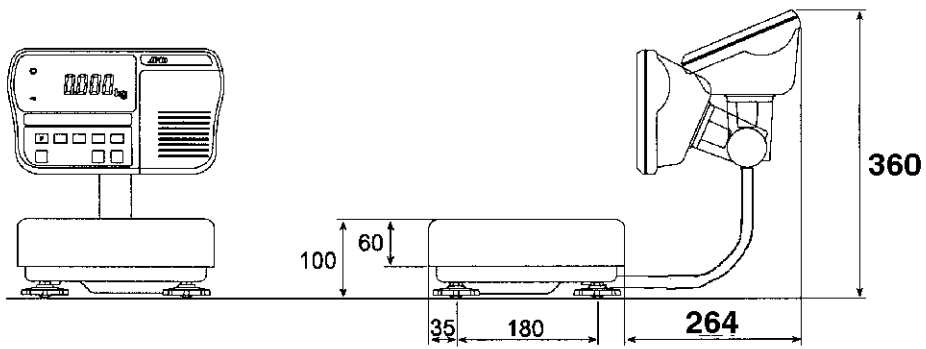
- a) Press **ON/OFF** key while holding the **ZERO** key pressed.
- b) F1 will be displayed - press the **MODE** key.
- c) F 9 0 will be displayed - press the **RANGE** key.
- d) F 9 1 will be displayed - press the **MODE** key.
- e) F10 will be displayed - press the **F** key
- f) End will be displayed - press the **MODE** key.
- g) Prepare the paper roll and open the printer cover.
- h) While holding the **F** key, press the **PRINT** key and feed in the paper.
- i) Place a weight onto the scale and when the stable mark flashes press the **PRINT** key.

If the printed weight is correct then the installation has been successful.

## HW-G series

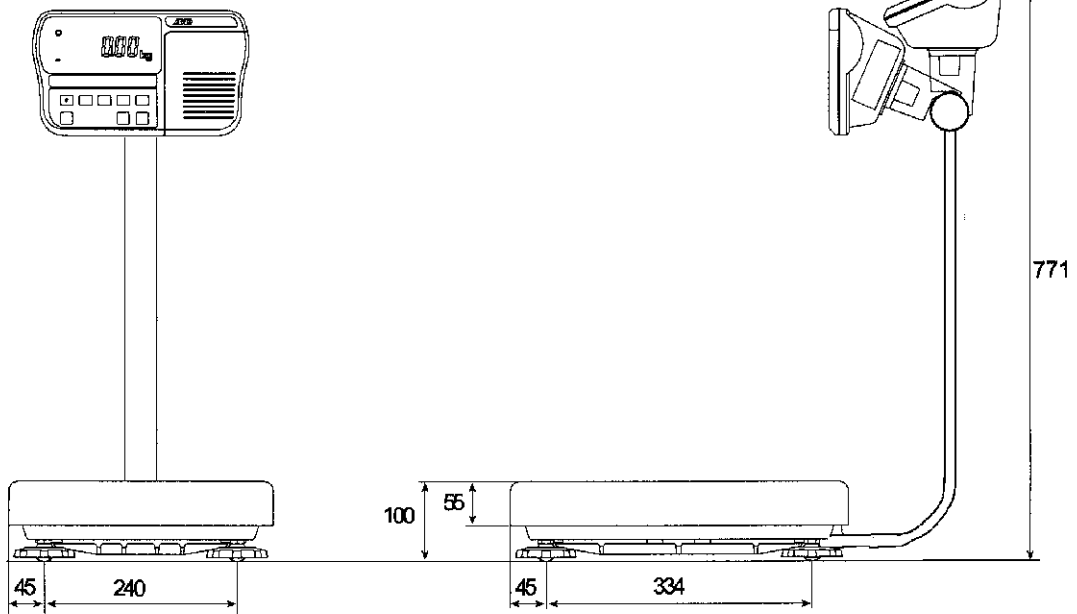
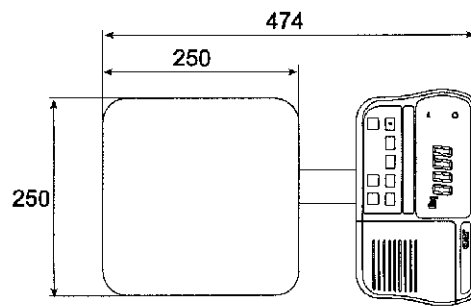
Product	HW-10KGL HW-10KGV	HW-60KGL HW-60KGV	HW-100KGV HW-100KGL	HW-200KGV HW-200KGL
Weighing Capacity [kg]	10	60	100	220
Min. weighing (1 digit) [g]	1	5	10	20
Number of samples in counting mode [units]	5 can be changed to 10 20 50 100			
Max. count number [units]	10,000	12,000	10,000	11,000
Display HW-GL HW-GV	7 segment liquid crystal display, Character height 25mm 7 segment fluorescent display, Character height 20mm			
Repeatability [g]	±2	±10	±20	±40
Linearity [g]	±2	±10	±20	±40
Span drift	20ppm/°C typ. (5°C ~ 35°C)			
Power source HW-GL HW-GV	AC adaptor Please confirm that the AC adaptor type is correct for your local voltage and receptacle. Battery x 6 pieces type 'D' Please confirm that the Main power type is correct for your local voltage and receptacle type.			
Battery life (HW-GL)	Approximately 600 hours with alkaline dry cell battery			
Ambient temperature and humidity	-10°C ~ 40°C, Less than 85%R.H. (Non- condensing)			
Weighing pan size [mm]	250 x 250	330 x 424	390 x 530	390 x 530
Dimension [mm] Width x Depth x Height	275 x 474 x 368	330 x 621 x 771	390 x 712 x 773	390 x 712 x 773
Mass of scale [kg] HW-GL HW-GV	6 7	11 12	17 18	17 18

## Dimensions



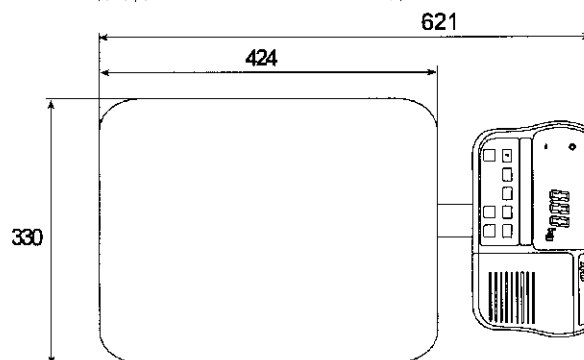
### Products

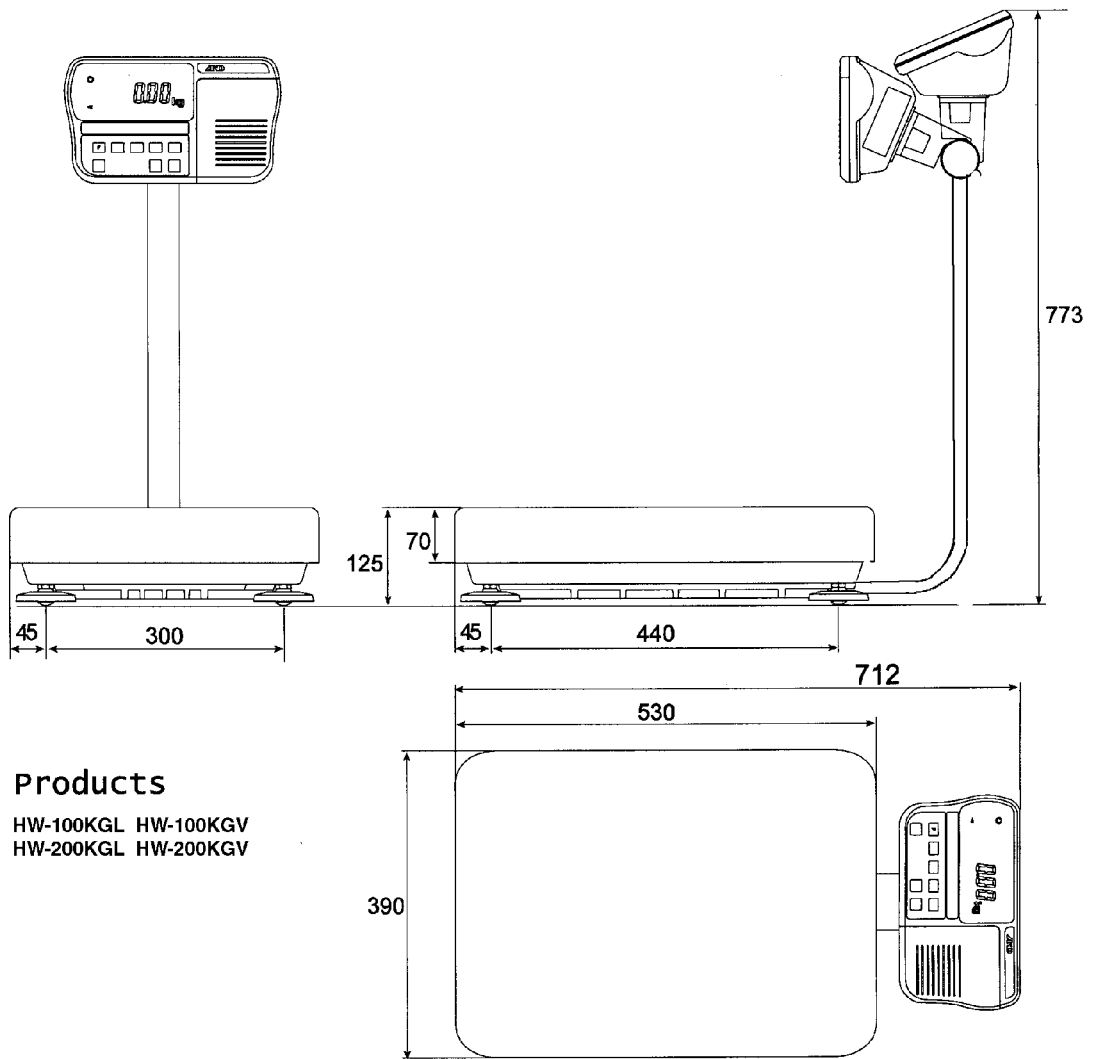
HW-10KGL  
HW-10KGV



### Products

HW-60KGL  
HW-60KGV







## 19 Maintenance

Refer to “4. Caution” for use.

Refer to “6.1. Display and Symbols “ and corresponding mode for displayed error code.

Refer to “14. Calibration (Adjusting Scale)” for precision weighing.

Periodically check the accuracy of weighing. Calibrate the scale, if it is moved to another location or the environment has changed.



### 19.1 Repair

Do not disassemble/ assemble the scale without an authorised service engineer. It may cause an electric shock or damage to the scale, etc. In this case, repair is not covered under warranty. Contact your local A&D dealer if your scale needs service or repair.



### 19.2 Check Points Before Calling Maintenance

In this situation	Confirm these items
Nothing displayed. Scale does not turn on.	Is the AC adaptor properly connected? Is the AC adaptor the correct voltage ? Are the batteries dead ? Is the battery polarity correct ?
The scale does not display zero at first.	Check around weighing pan for foreign bodies.
##### is displayed and does not proceed	Is there anything on the pan? The weighing value is unstable due to drift, vibration or other Check around weighing panfor foreign bodies.
----- is displayed and does not proceed.	Check the connection of load cell cable. Check around weighing pan. Remove anything on the pan. Make zero point calibration of the scale.
ERR E is displayed	Calibration error that means “Too heavy”.
-ERR E is displayed	Calibration error that means “Too light”.
E is displayed	Weighing error that means “Over load”.
-E is displayed	Weighing error that means “Under load”.
Fixed display	Do you use the “hold function”. Turn the scale off then on.

# **AND**

## **A&D MERCURY PTY. LTD.**

### **Head Office**

32 Dew Street

Thebarton

South Australia 5031

Telephone (08) 8352 3033

Facsimile (08) 8352 7409

Email [sales@andmercury.com.au](mailto:sales@andmercury.com.au)

Web site <http://www.andmercury.com.au>

### **Victorian Office**

Unit 4, 313 Arden Street

Kensington

Victoria 3031

Telephone (03) 9372 1522

Facsimile (03) 9372 1193

### **New South Wales Office**

Unit 4, 14 Abbott Road

Seven Hills

New South Wales 2147

Telephone (02) 9674 5466

Facsimile (02) 9674 2544