

Specifications

		GX-124AE*	GX-224AE*	GX-324AE*
		GX-124A	GX-224A	GX-324A
Capacity		122 g	220 g	320 g
Readability		0.0001 g		
Repeatability (std. deviation)		0.0001 g		0.0002 g (300 g) 0.0001 g (200 g)
Minimum weight ¹ (typical)		120 mg		
Linearity		±0.0002 g		±0.0003 g
Stabilization Time (when set to FAST under a good environment)		Approx. 1.5 sec (100 g)	Approx. 2 sec (200 g) Approx. 1.5 sec (100 g)	Approx. 2 sec (300 g) Approx. 1.5 sec (100 g)
Sensitivity drift		±2 ppm/°C (10 to 30 °C/50 to 86 °F, when automatic self calibration is OFF)		
Operating environment		5 to 40 °C (41 to 104 °F), 85%RH or less (no condensation)		
Display refresh rate		5 times/sec, 10 times/sec or 20 times/sec		
Units of measure ²		mg (milligram), g (gram), oz (ounce), ozt (troy ounce), ct (metric carat), mom (momme), dwt (pennyweight), gr (grain), pcs (counting mode), % (percent mode), SG (density mode), and a user-programmable unit		
Counting mode	Minimum unit mass	0.0001 g		
	Number of samples	5, 10, 25, 50 or 100 pieces		
Percent mode	Minimum 100% reference mass	0.0100 g		
	% readability	0.01%, 0.1% or 1% (depends on the reference mass stored)		
Communication interface		RS-232C and USB		
Calibration	Type	GX= Internal GF= External	GX= Internal GF= External	GX= Internal GF= External
	Wt. g.	50 g 100 g	50 g 100 g 200 g	50 g 100 g 200 g 300 g
Weighing pan size		Ø90 mm		
External dimensions		259 (W) × 358 (D) × 332 (H) mm (including the large glass breeze break)		
Net weight		Approx. 7 kg		
Power supply / consumption		AC adapter / approx. 30 VA		

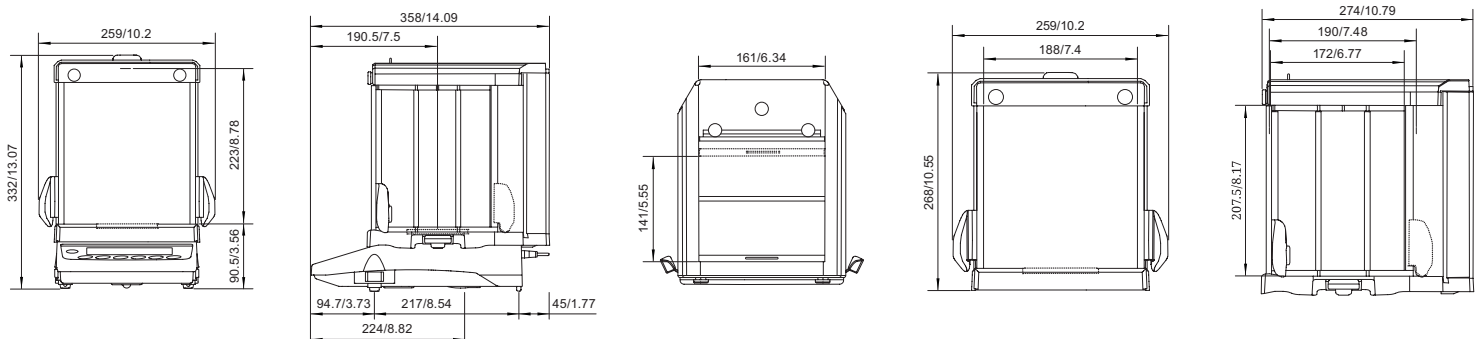
1 Under stable environment (no rapid temperature/humidity change, vibration, draft, magnetism, static, etc). The mass of the internal weight may vary with age.

2 One additional unit from tael (Singapore/HK jewelry/Taiwan/China), tola or Newton can be added upon request.

* AE versions comes standard with built in fanless ionizer with external touchless sensor.

Dimensions (mm/inch)

Models with readability of 0.0001g



1756 Automation Parkway
San Jose, CA 95131
888-726-5931 or 408-263-5333
andweighing.com

